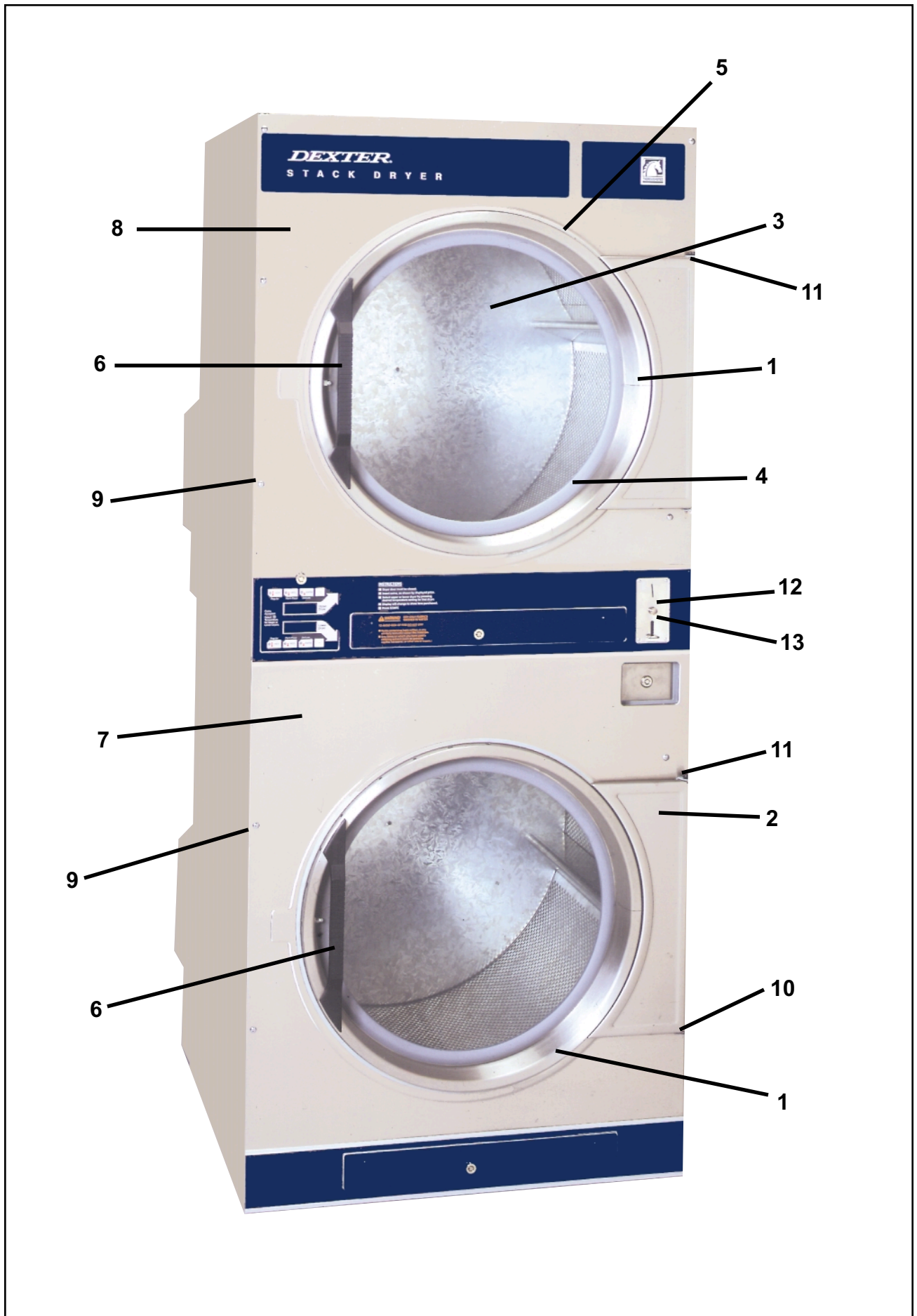


Section 6

Parts Data

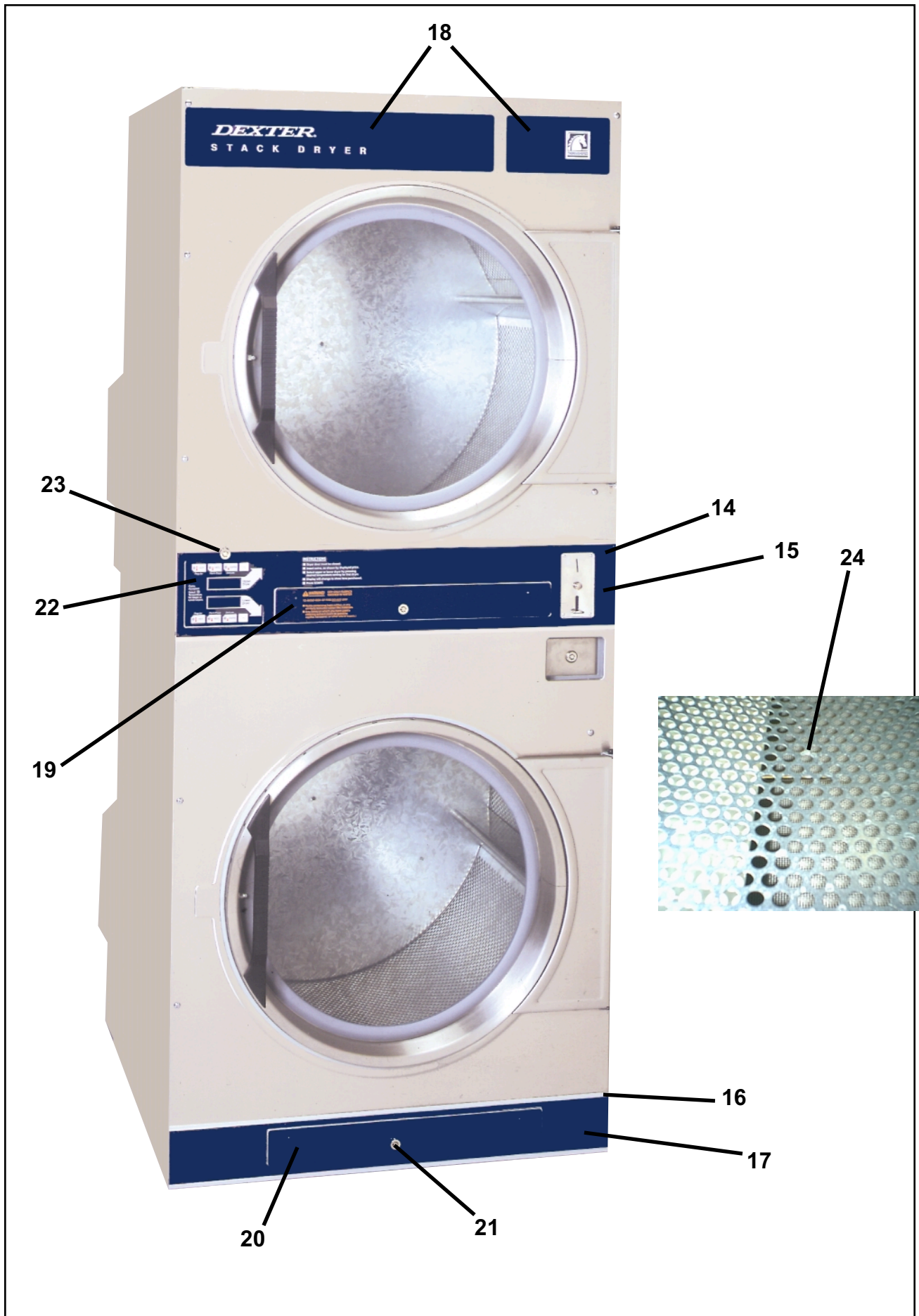
CABINET GROUP

Key	Part Number	Description	
*	9960-256-027	Door Assy., Loading Complete-Alm	2
*	9960-256-026	Door Assy., Loading Complete-Wht	2
*	9960-256-030	Door Assy., Loading Complete-SS	2
1	9960-255-008	Door Assy., Loading-SS(ring only)	2
2	9982-280-005	Plate Assy., Hinge (Alm)	2
2	9982-280-002	Plate Assy., Hinge (Wht)	2
2	9982-280-011	Plate Assy., Hinge (SS)	2
*	9545-012-015	Screw, Hinge to Door	8
*	8640-413-002	Nut, Hinge to Door	8
3	9212-002-003	Glass, Door	2
4	9206-164-006	Gasket, Glass	2
*	9548-117-000	Support, Door Glass	2
5	9206-420-001	Gasket, Outer Rim	2
6	9244-082-001	Handle, Loading Door	2
*	9545-018-017	Screw, Handle 1/4-20 x 3/8	2
*	9531-033-001	Stud, Door Catch	2
*	8640-413-001	Nut, Hex	2
*	8640-413-003	Nut, Acorn	2
*	9086-015-002	Catch, Loading Door	2
*	9545-012-003	Screw	4
*	8641-582-006	Lockwasher	4
*	8640-399-001	Spring Nut	6
7	9989-445-016	Panel Assy., Front- Lower (Alm)	1
7	9989-445-018	Panel Assy., Front- Lower (Wht)	1
7	9989-445-024	Panel Assy., Front- Lower (SS)	1
8	9989-445-015	Panel Assy., Front- Upper (Alm)	1
8	9989-445-017	Panel Assy., Front- Upper (Wht)	1
8	9989-445-023	Panel Assy., Front- Upper (SS)	1
9	9545-008-020	Screw, Torx HD 10 x 3/4	14
9	8641-582-019	Lockwasher	6
*	8640-399-001	Nut, Spring	12
10	9544-047-005	Strap, Hinge (Alm)	2
10	9544-047-002	Strap, Hinge (Wht)	2
10	9544-047-007	Strap, Hinge (SS/Gray)	2
*	9345-008-020	Screw, Hinge to Panel	8
11	9545-052-001	Screw, Door to Hinge Strap (Special Black Type)	2
*	8641-436-003	Washer, Fiber	2
12	9021-001-010	Acceptor, Coin	1
*	9486-136-001	Retainer, Coin Acceptor	1
13	9545-053-002	Screw	4
*	9732-126-001	Switch (for coin acceptor with extra actuator)	1



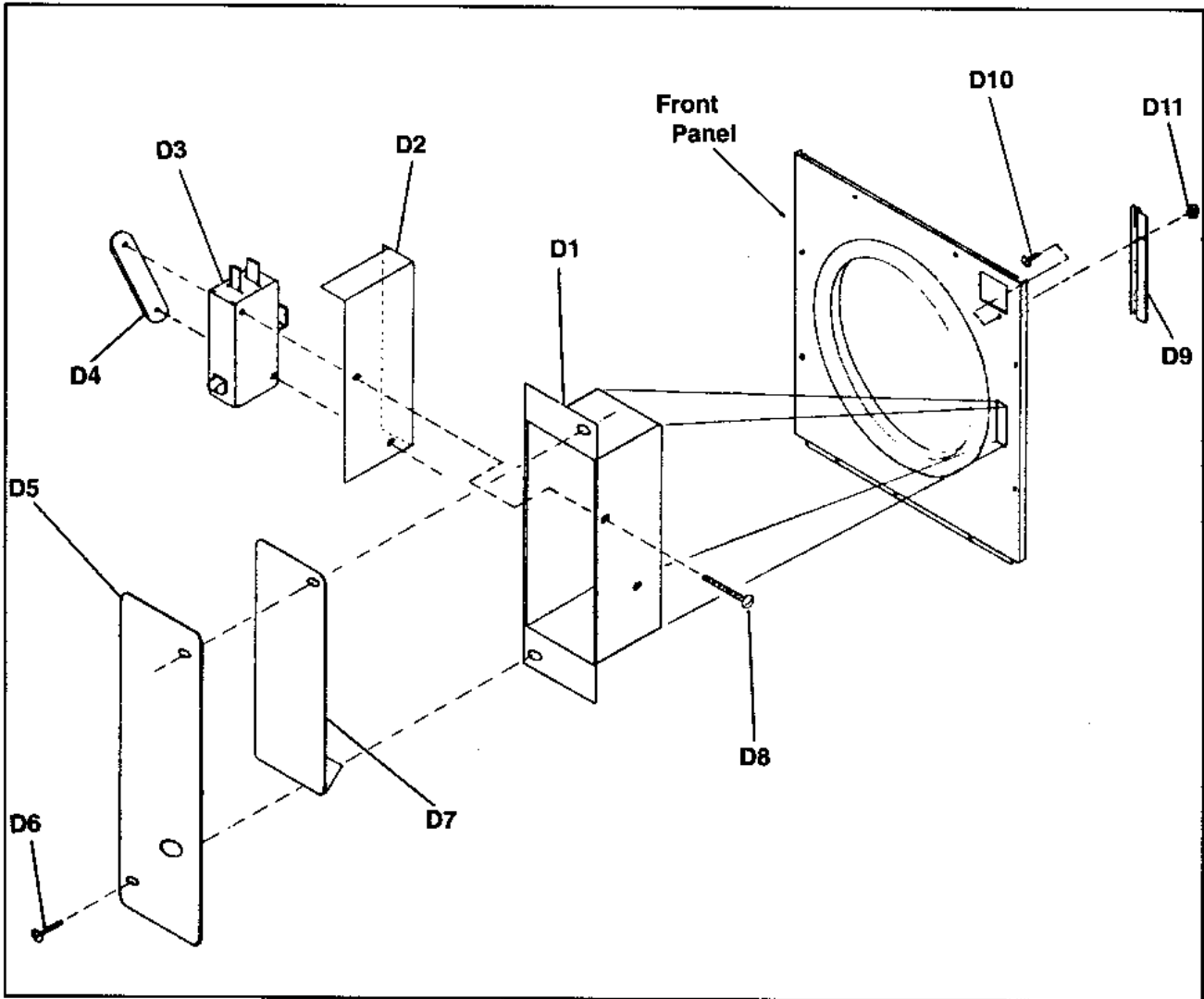
CABINET GROUP CONTINUED

Key	Part Number	Description	
14	9141-152-001	Escutcheon, Upper	1
15	9435-001-001	Trim, Overlay-Upper	1
16	9141-153-001	Escutcheon, Lower	1
17	9435-002-001	Trim, Overlay-Lower	1
*	9545-031-005	Screw	20
18	9412-084-001	Nameplate	1
*	9029-042-001	Bracket, Lint Drawer Lock	2
19	9866-003-003	Drawer Assembly, Lint-Upper	1
19	9435-003-002	Overlay Trim, Lint Drwr-Upper	1
20	9866-003-002	Drawer Assembly, Lint-Lower	1
20	9435-003-001	Overlay Trim, Lint Drwr-Lower	1
*	9532-074-003	Felt Seal (back of lint screen assembly)	2
*	9805-029-002	Lint Screen Assembly ONLY (no front)	2
*	9555-057-002	Replaceable Lint Screen Only used after serial #126066	2
21	8650-012-004	Lock and Key, Lint Drawer	2
*	9306-025-001	Key	2
*	9095-041-001	Cam, Lock	2
*	9545-008-001	Lint Screen Strap Hold Down Screws 10-32 x 1/4	28
22	9857-147-001	Controls Assy, Electronic Mounted With Membrane Switch	1
22	9801-059-004	Membrane Switch Assy	1
*	9627-677-001	Harness, Electronic Control	1
*	9627-676-001	Harness, Door Sw. & Coin Sw	1
23	8650-012-003	Lock and Key, Control	1
*	6292-006-007	Key	1
*	9095-041-001	Cam, Lock	1
*	8639-621-007	Screw, Green Grounding	1
*	9627-675-001	Harness, Heat Sensor	1
*	8652-130-037	Terminal, Grounding	1
*	9985-175-001	Bracket Ass'y Heat Sensor	2
24	9501-004-003	Sensor Temp Control	2
*	9545-045-005	Screw, Round Head (Mounts sensor to bracket; phillips head)	2
*	8641-582-014	Lockwasher.....	2
*	9545-008-024	Screw HX Head Tapping (Mounts bracket housing to dryer)	2
*	9209-037-002	Grommet, 3/16 ID	2
*	8544-005-000	Leg, Leveling	4
*	9074-261-001	Cover, Cabinet (Top)	1



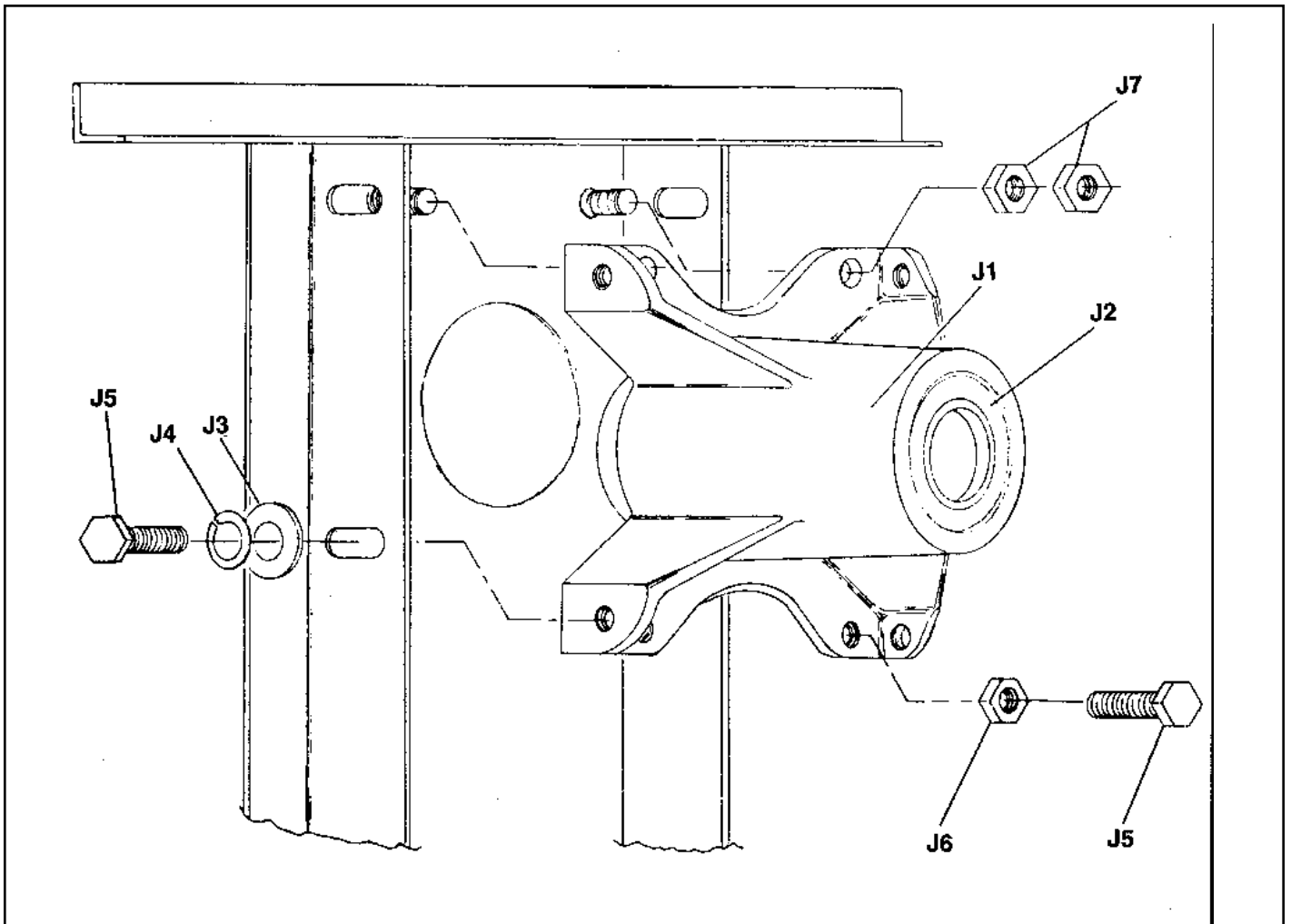
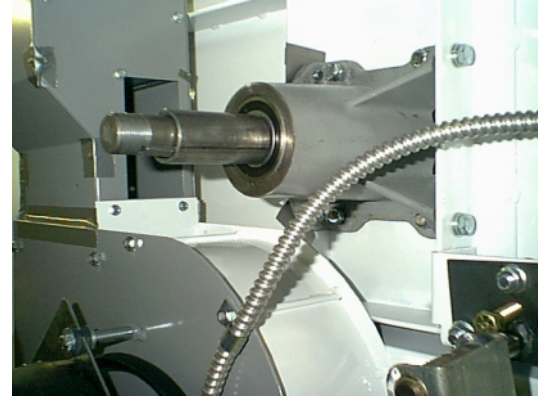
DOOR SWITCH GROUP

Key	Part Number	Description	
D1	9041-076-001	Box, Door Switch (Lower)	1
D1	9041-076-002	Box, Door Switch (Upper)	1
D2	9550-159-001	Shield, Door Switch	2
D3	9539-461-001	Switch, Door	2
D4	8640-401-001	Nut, Special Twin	2
D5	9074-255-001	Cover, Switch Box	1
D6	9545-008-020	Screw, Box Cover	2
D7	9008-004-001	Actuator, Switch- Lower	1
D7	9008-004-002	Actuator, Switch- Upper	1
D8	9545-020-001	Screw, Switch Mtg	4
D9	6068-041-001	Conduit, Lower Panel	1
D9	6068-043-001	Conduit, Upper Panel	1
D10	9545-012-003	Screw	2
D11	8640-413-004	Nut, Elastic Stop	2



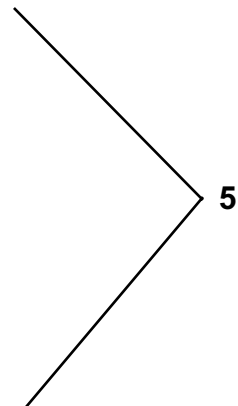
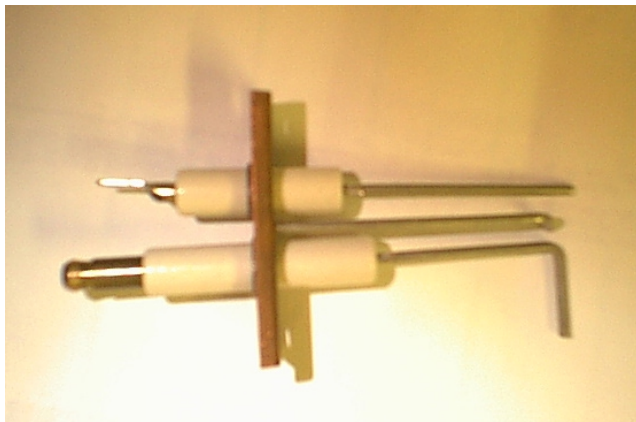
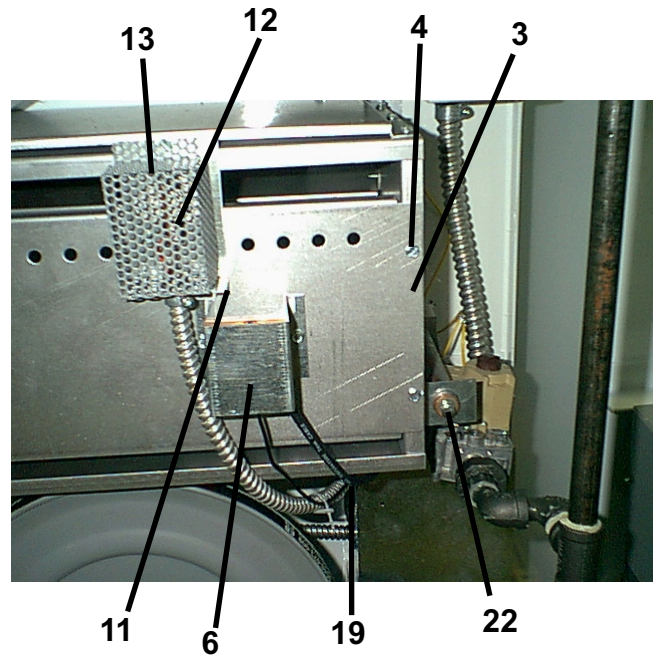
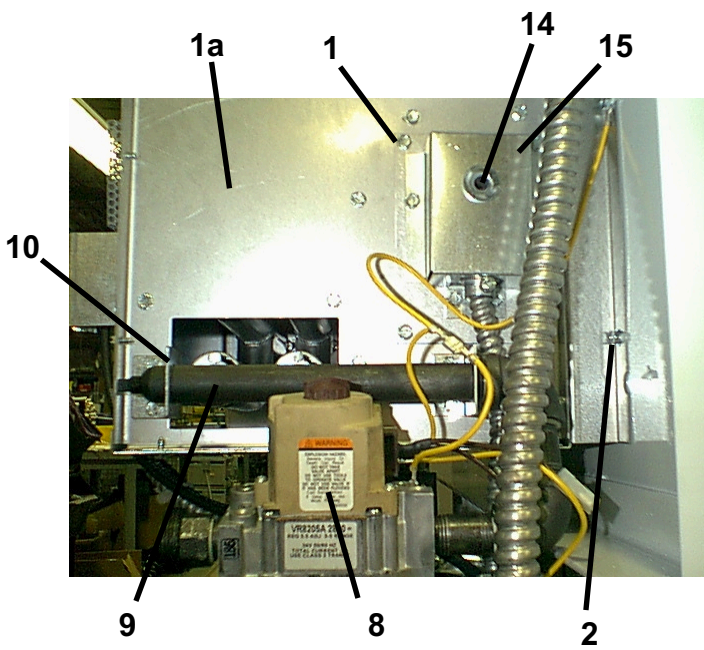
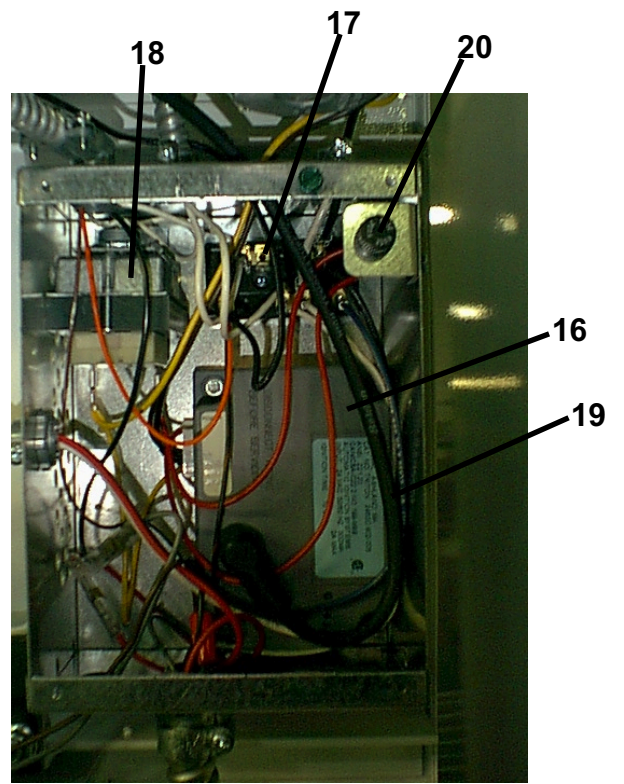
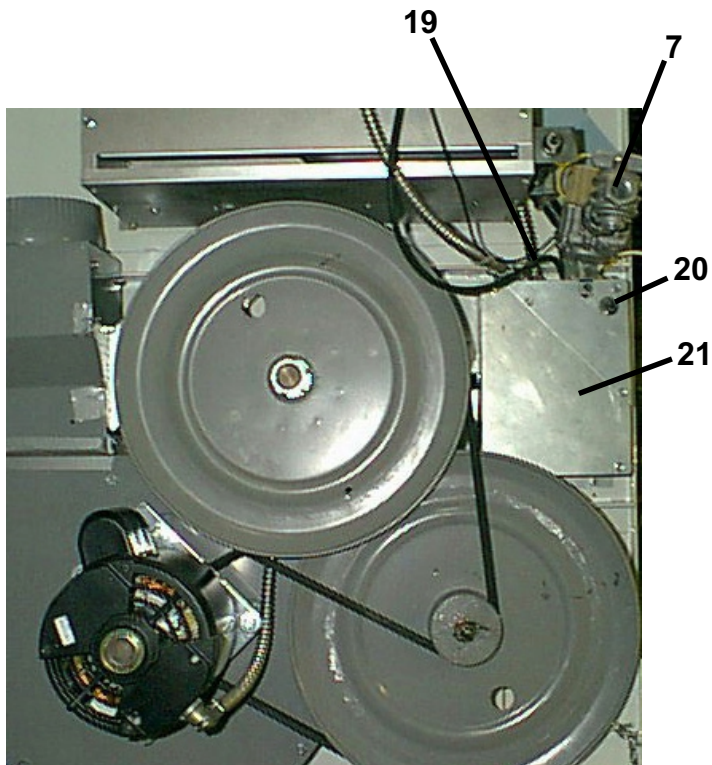
BEARING HOUSING GROUP

Key	Part Number	Description	
J1	9241-161-002	Housing, Bearing	2
J2	9036-130-001	Bearing, Ball	4
*	9538-139-002	Spacer, Bearing	2
J3	8641-581-009	Washer, Flat	8
J4	8641-582-003	Lockwasher	8
J5	9545-049-001	Screw, 3/8x1	12
J6	8640-415-002	Nut, 3/8	4
J7	8640-400-002	Nut, 5/16	8
*	9803-160-003	Bearing Housing Complete Ass'y (includes bearings,spacer)	2



BURNER HOUSING GROUP

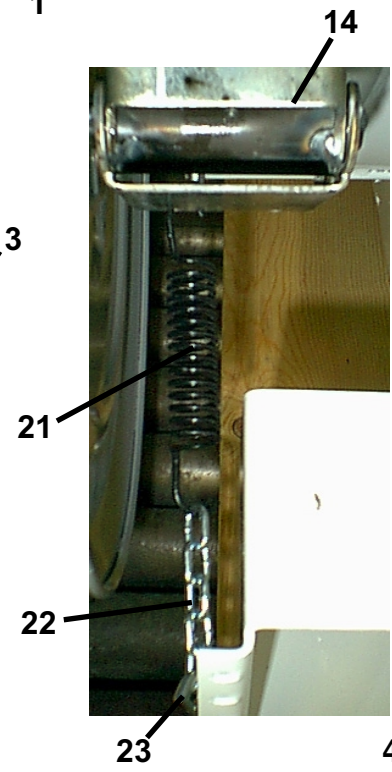
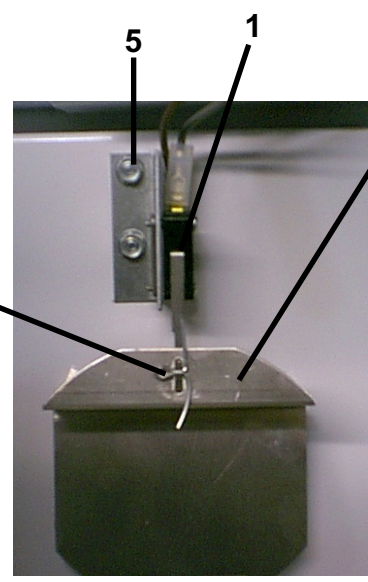
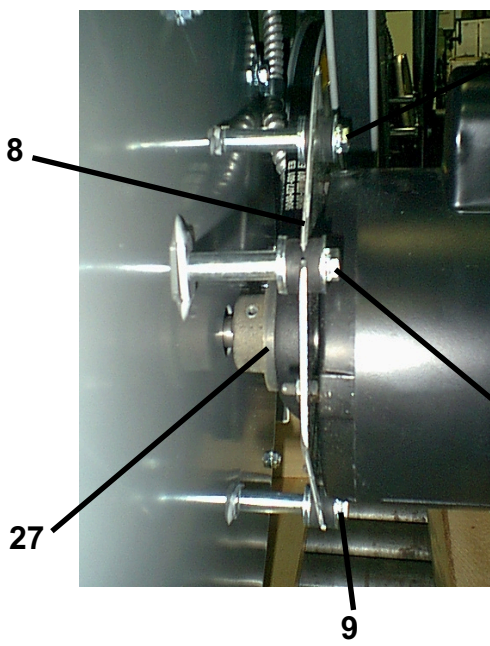
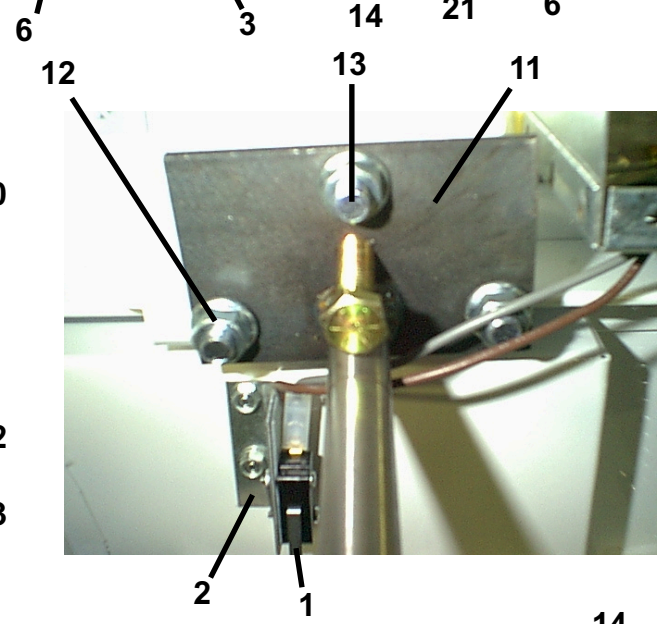
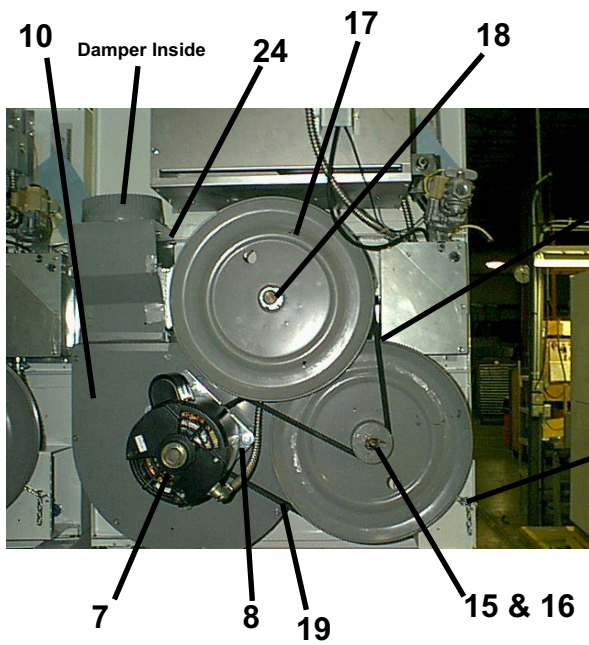
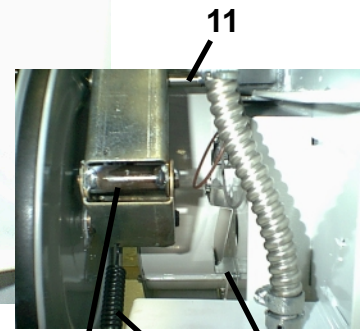
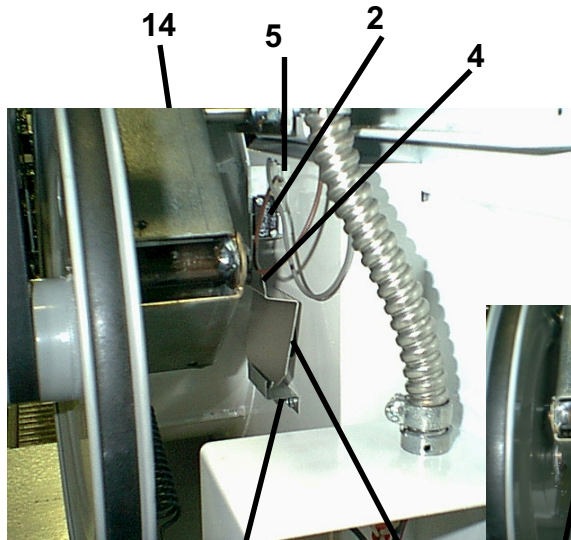
Key	Part Number	Description	
*	9803-185-001	Housing Assembly, Burner	2
1a	9454-641-001	Left Burner Plate (burner side) with cleanout	2
1	9452-696-001	Service Cover Plate for overtemp reset	2
*	9545-008-006	Screws	8
2	9545-008-001	Screw	12
*	9003-220-001	Angle, Burner Support	2
*	9545-008-006	Screw	4
*	9048-020-001	Burner, Main	4
*	9545-008-006	Screw	4
3	9454-645-001	Panel, Back Burner Housing	2
4	9545-008-001	Screw	8
5	9875-002-002	Electrode Assy, Ignition	2
*	9545-045-001	Screw, Electrode Mtg	4
6	9550-172-001	Shield, Ignitor Terminals (Cover)	2
7	9379-186-001	Valve, Gas Shut Off	1
8	9857-134-001	Control Assy, Gas	2
9	9381-009-001	Manifold, Assy	2
*	9425-069-009	Orifice, Burner-Natural #32	4
*	9425-069-008	Orifice, Burner-LP #50	4
10	9029-047-001	Bracket, Manifold	2
*	9039-915-001	Bracket, Inlet Pipe	2
22	8615-104-038	Pipe Plug in end of Burner Manifold	2
11	9452-615-001	Plate Assy, Hi-Limit Stat	2
*	9545-008-006	Screw	4
12	9576-203-002	Thermostat, Hi-Limit	2
*	9538-142-001	Spacer, Hi-Limit	4
*	9545-045-007	Screw	4
13	9074-234-001	Cover, Hi-Limit Stat	2
*	9545-008-006	Screw	6
14	9576-207-008	Thermostat, Safety Shutoff	2
*	9545-008-006	Screw	4
15	9825-057-002	Cover, Safety Stat	2
*	9545-008-006	Screw	4
16	9857-116-002	Control, Ignition	2
*	9545-031-006	Screw	4
17	9897-026-001	Terminal Block	2
*	9545-031-004	Screw	4
18	8711-002-001	Transformer, Control	2
*	8640-397-002	Nut, Conduit	2
*	9039-915-001	Bracket	2
*	9545-008-006	Screw	4
19	9631-403-002	Wire, Hi Voltage	2
*	9627-678-001	Harness, Low Voltage Ignition	2
20	9200-001-002	Fuseholder	2
20	8636-018-001	Fuse	2
21	9074-263-001	Cover, Ignition Cntrl. Box	2
*	9545-008-006	Screw	8
*	9550-173-001	Shield, Burner Inlet	1
*	9732-102-002	Kit, LP Conversion	2



REAR VIEW

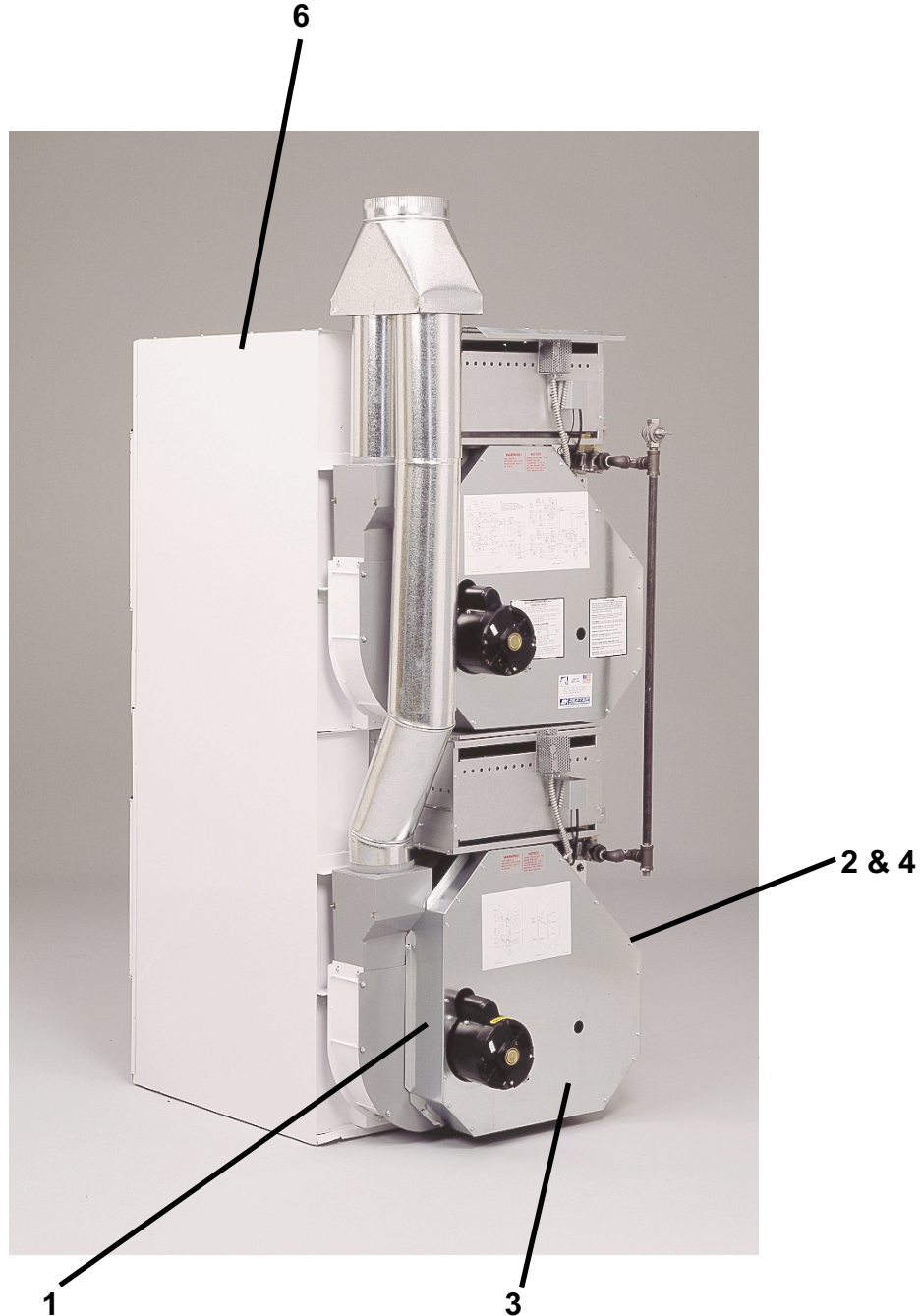
Key	Part Number	Description	
*	9801-060-001	Switch Assy, Air Flow	2
1	9539-461-009	Switch, Air Flow	2
2	9029-044-001	Bracket, Switch- Air Flow	2
3	9008-007-001	Actuator, Switch	2
4	9451-169-002	Pin, Cotter	2
5	9545-020-001	Screw	4
*	8640-401-001	Nut, Special Twin	2
*	9550-169-003	Shield, Switch	2
6	9029-046-001	Bracket, Actuator Stop	2
*	9545-008-001	Screw	4
7	9376-296-002	Motor, Drive	2
8	9452-619-001	Plate, Motor Mtg	8
*	8640-413-002	Nut, Motor to Plate	8
9	9545-018-019	Screw, Motor Plate to Hsg Back	8
9	8641-582-007	Lockwasher	8
9	9538-163-006	Spacer	8
9	8641-581-017	Flat Washer	24
9	9209-086-002	Rubber Grommet	8
*	9538-166-006	Grommet Spacers	8
27	9453-157-001	Pulley, Motor	2
*	9545-028-013	Screw, Set	4
10	9962-010-006	Back Assy, Blower Hsg	2
*	9278-039-001	Impeller, W/Set Screws	2
11	9991-053-001	Support Assy, Intermed. Pulley	2
12	9545-029-010	Bolt, Rd Hd 3/8-16 x 1 1/4	6
13	9545-029-003	Bolt, 3/8-16 x 1 1/2	2
12	8640-415-004	Nut	6
12	8641-581-035	Washer, Flat	6
14	9861-022-001	Arm Assy-Tension, Complete	2
*	8641-581-035	Washer, Flat	2
15	9487-200-003	Ring-Retaining	10
16	9908-039-004	Pulley Assy, Intermediate	2
17	9908-040-001	Pulley Driven	2
*	9538-164-001	Spacer, Shaft	2
*	9306-006-000	Key, Tumbler Shaft	2
18	8640-222-000	Nut, Hex	2
18	8641-582-015	Washer, Lock	2
19	9040-077-001	Belt, Drive- Motor	2
20	9040-073-009	Belt, Drive- Tumbler	2
21	9534-319-002	Spring, Tension	2
22	9099-012-002	Chain, Tension	2
23	9248-022-002	Hook, Tension	2
*	9125-003-001	Damper	4
24	9451-146-004	Pin, Damper Hinge	4
*	8520-141-000	Nut, Spring	8
*	9208-048-001	Guard, Drive	2
*	9454-649-001	Panel, Drive Guard, RH	2
*	9989-444-001	Panel, Drive Guard, LH (complete assembly 2 pieces)	2
*	9545-008-006	Screw	36
25	9973-029-001	Heat Recirculation Assembly Duct	2
27	9453-161-002	Motor Pulley - Driver	

Recirculation Duct 25



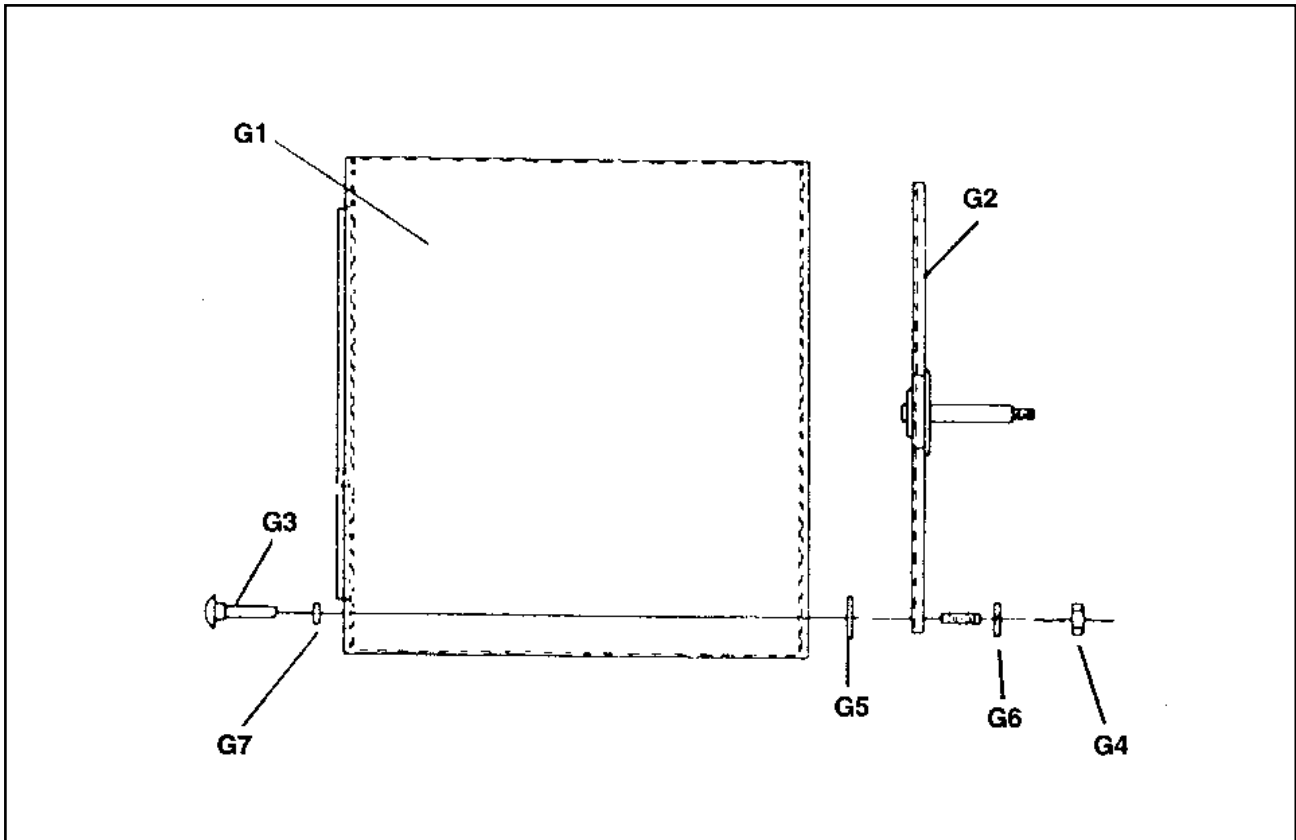
REAR PANEL GROUP

Key	Part Number	Description	
1	9454-649-001	Back Drive Guard Panel (righthand)	2
2	9454-650-001	Back Drive Guard Panel (lefthand)	2
3	9208-048-001	Back Guard Drive	2
4	9029-049-001	Back Bracket Guard (lefthand)	2
*	9732-104-001	Vent Kit Offset Complete Transition	2
6	9074-261-001	Cabinet (TOP COVER)	1
*	9989-444-001	2 pcs. of Back Guard Panel (lefthand) Assembly	1 (includes #4 & #2)

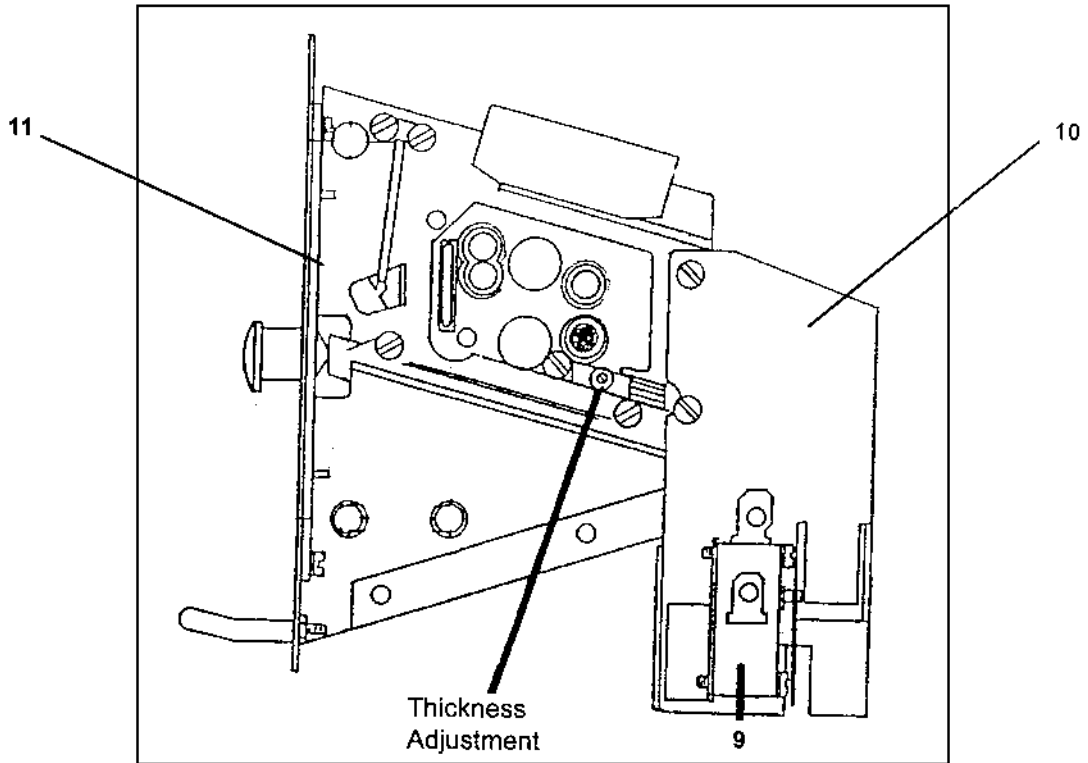


TUMBLER GROUP

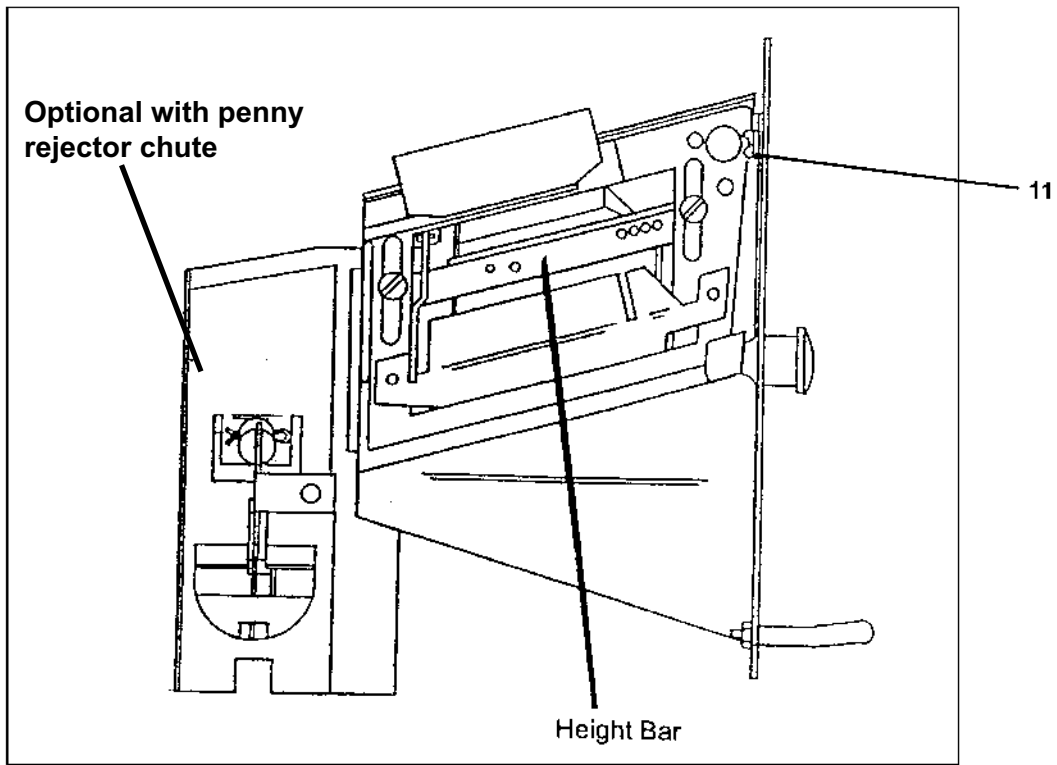
Key	Part Number	Description	
G1	9848-112-001	Tumbler Ass'y	2
G2	9568-009-005	Spider Ass'y	2
G3	9497-019-003	Rod, Tumbler	6
G4	8640-415-001	Nut	6
G5	8641-582-003	Washer, Spring Lock	6
G6	8641-554-001	Washer, Special	6
G7	9552-013-000	Shim	AR
*	9551-019-006	Perforated Basket Material Only (not formed flat stock only)	



Coin Handling Group



#8 COIN ACCEPTOR - right side



#8 COIN ACCEPTOR - left side

COIN HANDLING GROUP

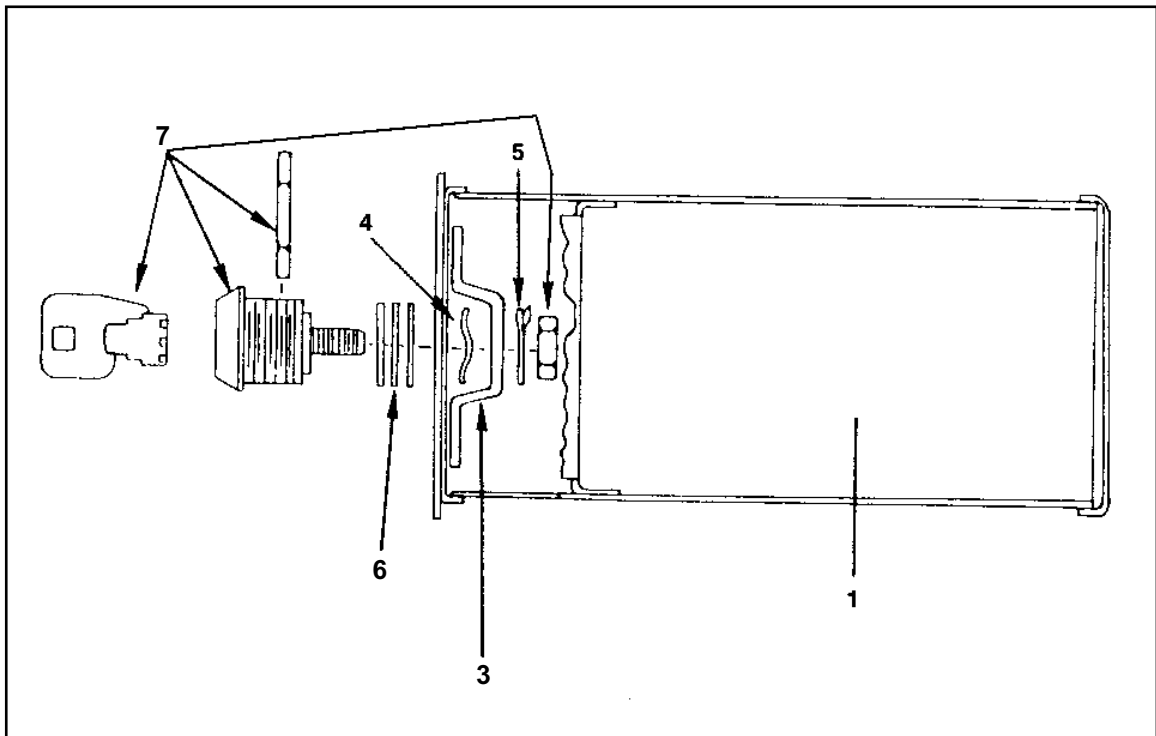
Key	Part Number	Description	
2	9732-122-001	Kit, Coin Box and Hardware (includes 1-6)	1
*	9942-025-003	Vault, Ass'y Gray (SS front panel)	1
*	9942-025-004	Vault, Ass'y Almond	1
*	9942-025-005	Vault, Ass'y White	1
*	9545-008-026	Screw, Vault Mtg	4
1	9807-077-007	Box Assy, Coin	1

NOTE: COIN BOX AND HARDWARE KIT AND COIN BOX LOCK NOT INCLUDED WITH MACHINE.

3	9349-033-001	Latch, Coin Box	1
4	8641-569-002	Washer, Wave	1
5	8641-583-001	Washer, Keeper	1
6	8641-581-008	Washer, Spacer- Thick	2
6	8641-581-010	Washer, Spacer- Thin	4
7	8650-012-002	Lock, Coin Box (w/key not included with 9732-122-001)	1
8	9021-001-010	Acceptor, Coin	1
*	9545-020-004	Screw, Acceptor Mtg	4
*	8640-424-002	Nut	4
9	9732-126-001	Switch, Coin	1
10	9119-025-002	Acceptor Chute Ass'y w/o penny ejector	1
*	9119-025-001	OPTIONAL Acceptor Chute W/ penny rejector	*
11	9486-133-001	Button Coin Return Retainer	1

* Not Illustrated

2 & 7



WIRING GROUP

Key	Part Number	Description	
*	9627-685-002	Wiring Harness- Main	1
*	9627-676-002	Wiring Harness- Door Sw & Coins	1
*	9631-403-002	Wire, Hi Voltage, Spark	2
*	9627-678-001	Wiring Harness, Low Voltage Ignition	2
*	8502-645-001	Label Instruction	
*	8502-627-001	Label Wire Routing	
*	8502-617-001	Label "Made in USA"	
*	8502-644-001	Label "No Step Warning"	
*	9345-856-001	Wiring Schematic	
*	9345-857-001	Wiring Label Diagram	
*	8514-010-008	Owner's booklet	