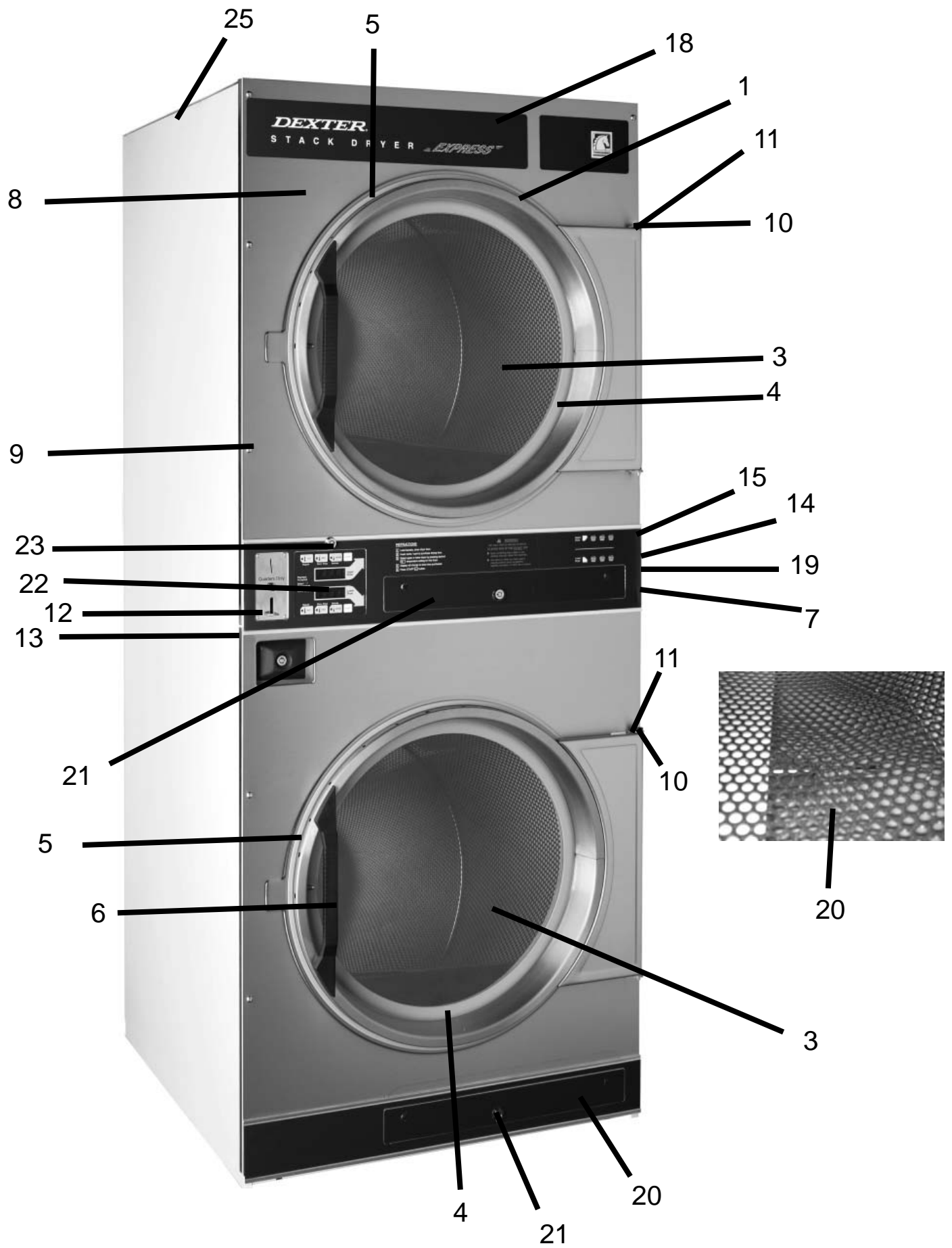

Section 6: Parts Data



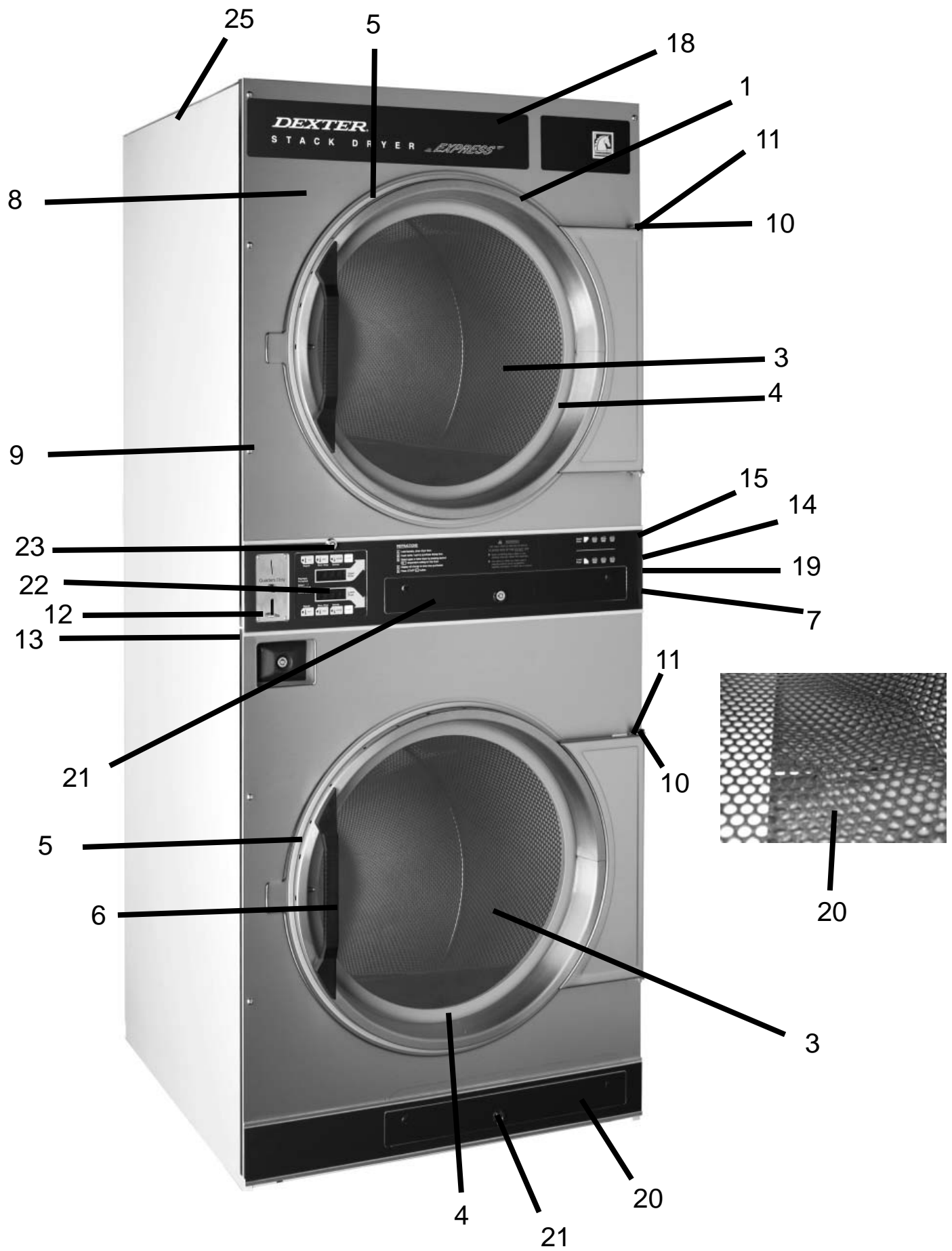
Section 6: Parts Data

CABINET GROUP

Key	Part Number	Description	Quantity
*	9960-256-033	Door Assy., Loading Complete-Alm	2
*	9960-256-032	Door Assy., Loading Complete-Wht	2
*	9960-256-034	Door Assy., Loading Complete-SS	2
1	9960-255-008	Door Assy., Loading-SS(ring only)	2
2	9982-280-215	Plate Assy., Hinge (Alm) No Pin.....	2
2	9982-280-014	Plate Assy., Hinge (Wht) No Pin.....	2
2	9982-280-012	Plate Assy., Hinge (SS) No Pin.....	2
*	9545-012-015	Screw, Hinge to Door	8
*	8640-413-002	Nut, Hinge to Door	8
3	9212-002-003	Glass, Door	2
4	9206-164-009	Gasket, Glass	2
*	9548-117-000	Support, Door Glass	2
5	9206-420-002	Gasket, Outer Rim	2
6	9244-082-001	Handle, Loading Door	2
*	9545-018-017	Screw, Handle 1/4-20 x 3/8	2
*	9531-033-001	Stud, Door Catch	2
*	8640-413-001	Nut, Hex	2
*	8640-413-003	Nut, Acorn	2
*	9086-015-002	Catch, Loading Door	2
*	8638-190-009	Pop Rivet for mtg. catch	4
*	8641-582-006	Lockwasher.....	4
*	8640-399-001	Spring Nut	6
7	9989-513-008	Panel Assy., Front- Lower (Alm)	1
7	9989-513-007	Panel Assy., Front- Lower (Wht)	1
7	9989-513-005	Panel Assy., Front- Lower (SS)	1
8	9989-513-004	Panel Assy., Front- Upper (Alm)	1
8	9989-513-003	Panel Assy., Front- Upper (Wht)	1
8	9989-512-001	Panel Assy., Front- Upper (SS)	1
9	9545-008-020	Screw, Torx HD 10 x 3/4	14
9	8641-582-019	Lockwasher.....	6
*	8640-399-001	Nut, Spring	12
10	9544-047-005	Strap, Hinge (Alm)	2
10	9544-047-002	Strap, Hinge (Wht)	2
10	9544-047-007	Strap, Hinge (SS/Gray)	2
*	9345-008-020	Screw, Hinge to Panel	8
11	9545-052-001	Screw, Door to Hinge Strap (Special Black Type)	2
*	8641-436-003	Washer, Fiber	2
12	9021-001-010	Acceptor, Coin	1
*	9486-136-001	Retainer, Coin Acceptor	1
13	9545-053-002	Screw	4
*	9732-126-001	Switch (for coin acceptor with extra actuator)	1

CABINET GROUP CONTINUED

Key	Part Number	Description	Quantity
14	9994-030-001	Escutcheon, Upper	1
15	9435-019-001	Trim, Overlay-Upper	1
16	9994-031-001	Escutcheon, Lower	1
17	9435-020-001	Trim, Overlay-Lower	1
*	9545-020-009	Screw.....	1
18	9412-154-001	Nameplate Stack Dryer Express	1
20	9866-004-001	Lint Drawer Assembly	2
20	9435-003-001	Overlay Trim, Lint Drwr-	1
*	9532-074-003	Felt Seal (back of lint screen assembly)	2
*	9805-029-002	Lint Screen Assembly ONLY (no front)	2
*	9555-057-002	Replaceable Lint Screen Only	2
21	8650-012-004	Lock and Key, Lint Drawer	2
*	6292-006-007	Key 6324 only.....	2
*	9095-043-001	Cam, Lock.....	2
*	9545-008-001	Lint Screen Strap Hold Down Screws 10Bx 1/4	28
22	9857-147-001	Controls Assy, Electronic Mounted With Membrane Switch	1
22	9801-059-005	Membrane Switch Assy	1
*	9627-862-001	Harness, Electronic Control	1
*	9627-854-001	Harness Coin Sw	1
23	8650-012-003	Lock and Key, Control	1
*	9095-041-001	Cam, Lock	1
*	9627-855-001	Harness, Heat Sensor	1
*	9277-041-011	Insulation Cabinet Cover	1
*	9501-004-003	Sensor Temp Control	2
*	9545-045-005	Screw, Round Head (Mounts sensor to bracket; phillips head).....	2
*	9545-008-024	Screw HX Head Tapping (Mounts bracket housing to dryer)	2
*	9209-037-002	Grommet, 3/16 ID	2
*	8544-006-001	Leg, Leveling 1/2"	4
*	9074-261-001	Cover, Cabinet (Top).....	1
*	9732-253-001	DDAD Kit for Dryers without Neutral and using 208-240 volt.....	1
*	9732-102-011	LP Kit for DDAD Dryers.....	1
*	9732-243-001	Stack Dryer Trunion Puller.....	1
*	9555-057-003	Replaceable Lint Screen Fine Mesh Only.....	1
*	9277-053-001	Insulation-Front Panel-Top Half.....	2
*	9277-053-002	Insulation-Front Panel-Lower Half.....	2
*	9029-169-001	Bracket for Heat Sensor Mounting (Under Basket).....	2
*	8640-276-002	Wire Nut Connector Grey.....	4
*	9527-007-002	Standoff Wire Saddle.....	8
*	9544-041-002	Strap - Bead Tie.....	1



DOOR SWITCH GROUP

Part Number
9539-487-001

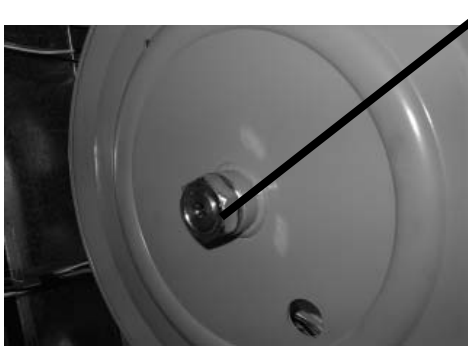
Description
Door Switches2

Quantity

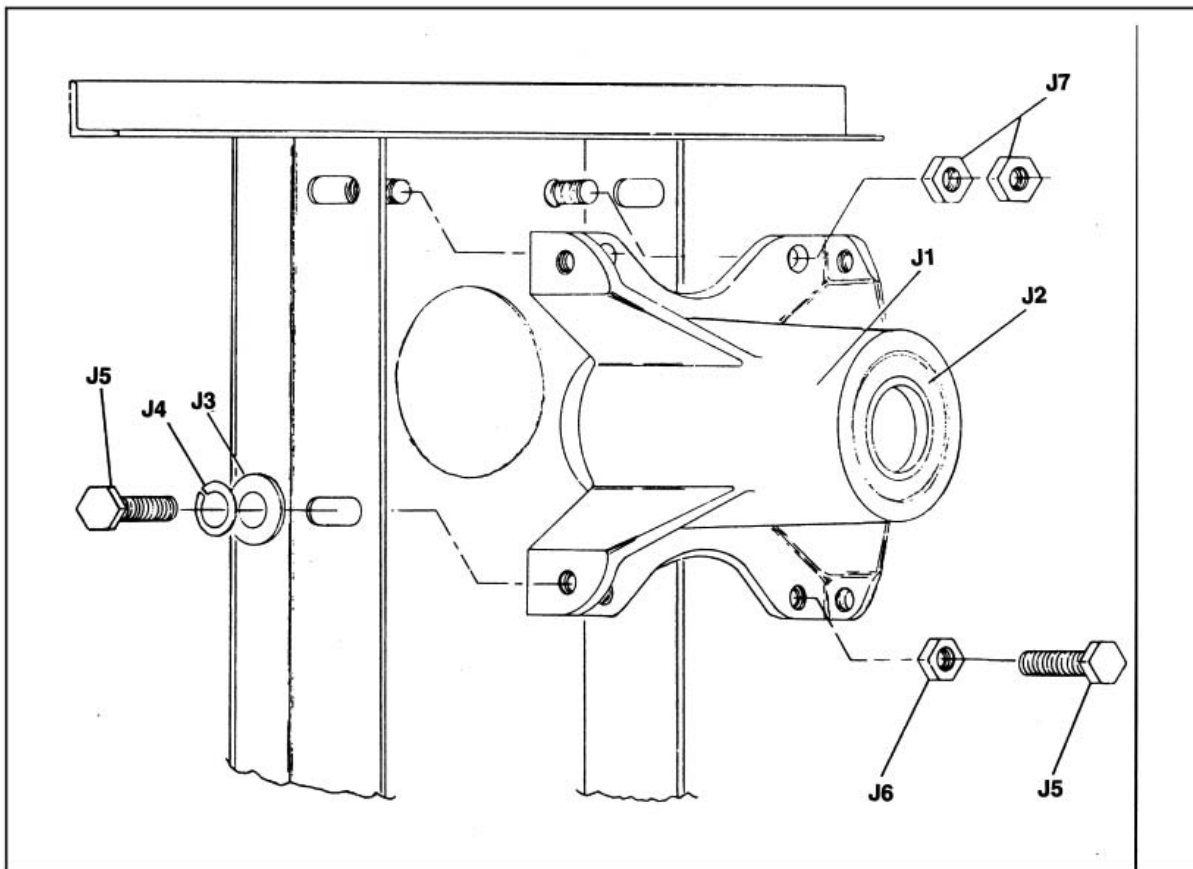


BEARING HOUSING GROUP

Key	Part Number	Description	Quantity
J1	9241-161-002	Housing, Bearing	2
J2	9036-130-001	Bearing, Ball	4
*	9538-139-002	Spacer, Bearing	2
J5	9545-049-001	Screw, 3/8x1.....	4
J6	8640-415-001	Nut, 3/8	4
J7	8640-400-002	Nut, 5/16	8
*	9803-160-003	Bearing Housing Complete Ass'y (includes bearings,spacer).....	2
J4	9545-049-002	Screw 3/8 x 3/4.....	8



Torque
150 FT Pounds

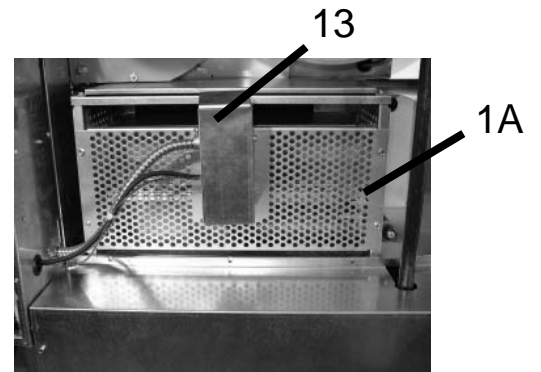
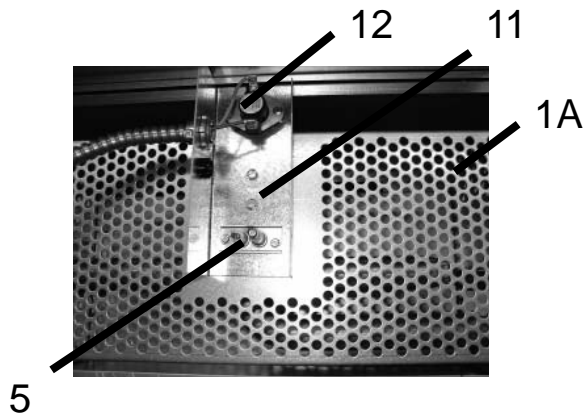
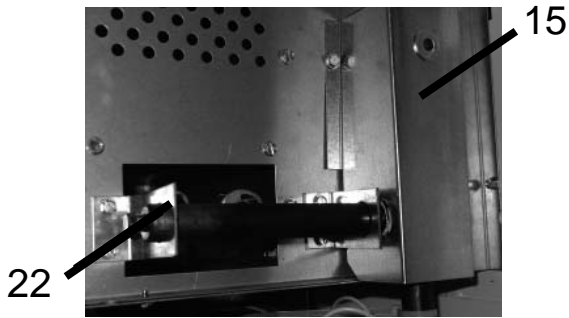
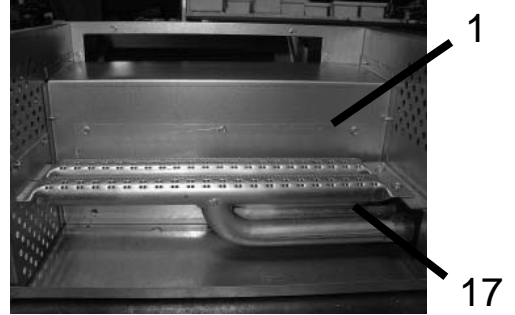
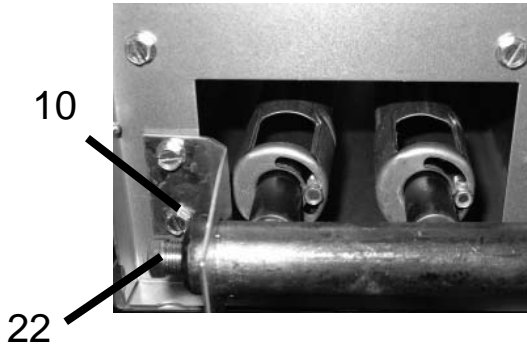


BURNER HOUSING GROUP

Key	Part Number	Description	Quantity
*	9803-199-001	Housing Assembly, Burner	2
1a	9452-730-001	Service Burner Plate Front.....	2
1	9452-729-001	Service Plate baffle Recirculation Chamber Clean Out.....	2
*	9545-008-006	Screws	8
2	9545-008-001	Screw	12
18	9003-220-001	Angle, Burner Support	2
*	9545-008-006	Screw	4
17	9048-020-001	Burner, Main	4
*	9545-008-006	Screw 10AB x 3/8"	4
*	9454-796-001	Panel, Back Burner Housing.....	2
4	9545-008-001	Screw 10B x1/4"	8
5	9875-002-002	Electrode Assy, Ignition	2
19	9545-045-001	Screw, Electrode Mtg 8B x 1/4".....	4
7	9379-186-001	Valve, Gas Shut Off	1
8	9857-134-001	Control Assy, Gas	2
9	9381-009-006	Manifold, Assy	2
*	9425-069-023	Orifice, Burner-Natural #125	4
*	9425-069-024	Orifice, Burner-LP #49	4
10	9029-047-001	Bracket, Manifold.....	2
*	9039-915-001	Bracket, Gas Control	2
22	8615-104-038	Pipe Plug in end of Burner Manifold	2
11	9452-749-001	Plate Assy, Hi-Limit Stat Ignitor	2
*	9545-008-006	Screw	4
12	9576-203-002	Thermostat, Hi-Limit	2
*	9538-142-001	Spacer, Hi-Limit	4
*	9545-045-007	Screw 8B x 3/4".....	4
13	9074-315-001	Cover, Hi-Limit Stat Ignitor.....	2
*	9545-008-006	Screw	6
14	9576-207-008	Thermostat, Safety Shutoff	2
*	9545-008-006	Screw	4
15	9825-058-001	Cover, Safety Stat	2
*	9545-008-006	Screw	4
16	9857-116-003	Control, Ignition Fenwall (3 trybox).....	2
*	9550-173-001	Shield, Burner Inlet	1
*	9732-102-001	Kit, LP Conversion DDAD Kit	2
*	8615-104-037 ^	Elbow 90 Black.....	4
*	8665-073-040 ^	Nipple 1/2" x 2 Black	4
*	8665-073-044 ^	Nipple 1/2" x 4 1/2" Black.....	2
*	8615-104-035 ^	Union 1/2" Black.....	2
*	9458-020-002 ^	Pipe Black.....	1
*	8615-104-034 ^	Tee 1/2"x1/2"x1/2" Long Black.....	2
*	8655-073-040 ^	Nipple 1/2" x 2 Black.....	2
*	8655-073-044 ^	Nipple.....	2
*	9838-018-001 ^	Welded One Piece Gas Pipe Assembly (Used After 9/07)	
*	9381-012-001 ^	Manifold Assembly 2 Port One Piece Used After 9/07	

^ Models built before 9/07

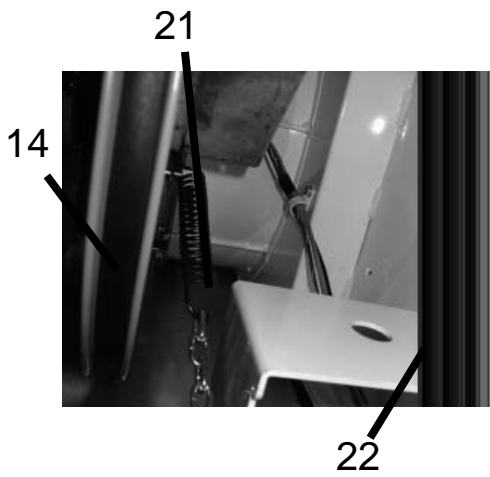
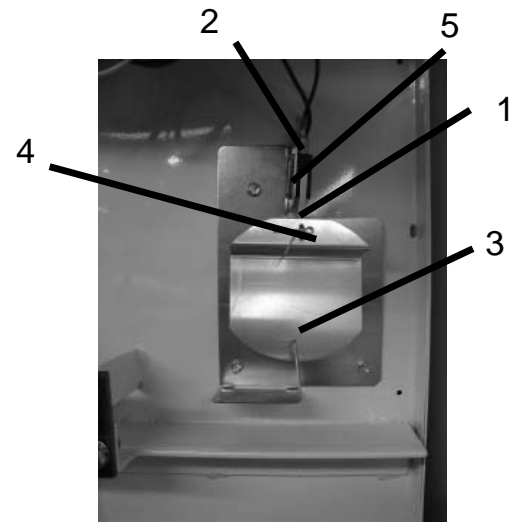
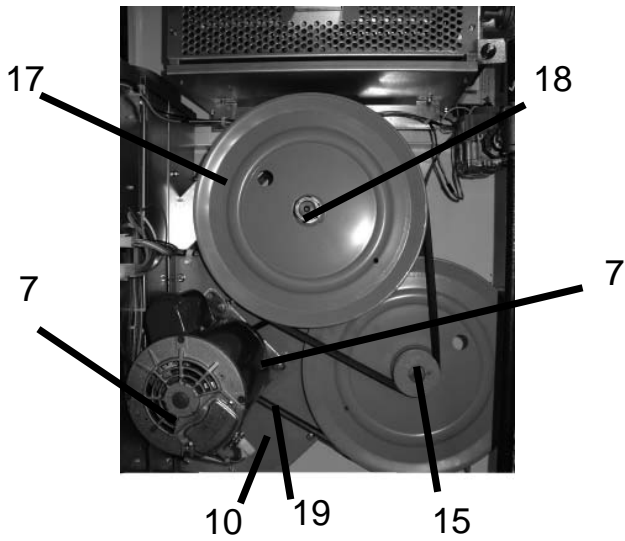
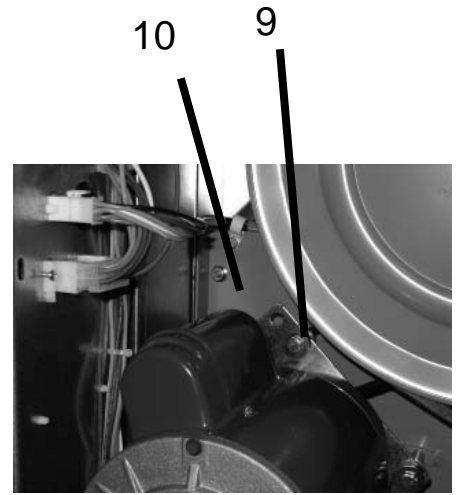
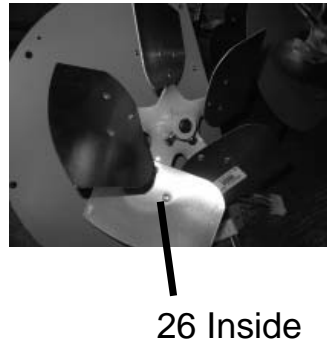
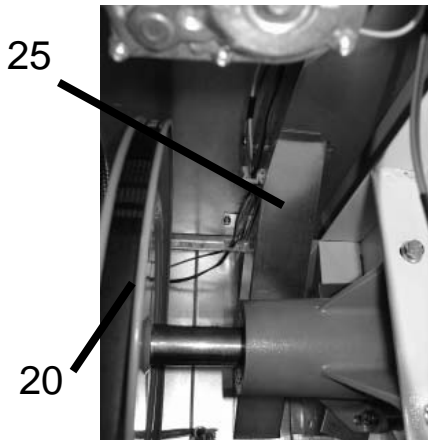
BURNER HOUSING GROUP PHOTOS



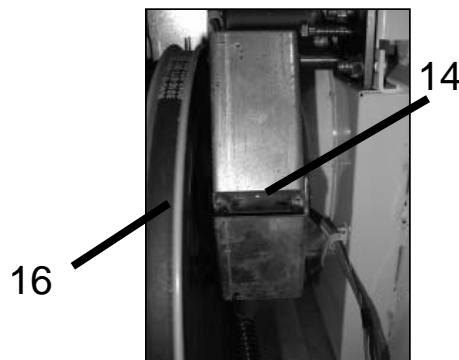
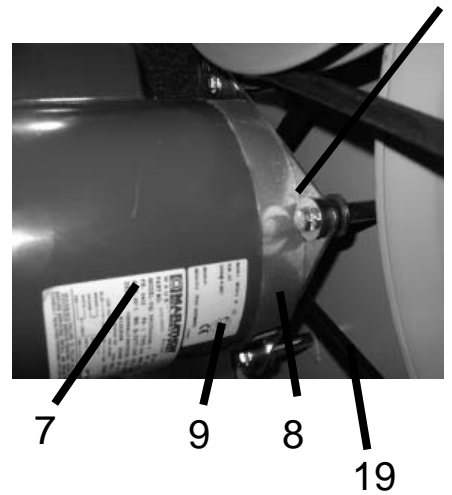
REAR VIEW

Key	Part Number	Description	Quantity
*	9627-861-001	Wire Harness Overtemperature Switch.....	2
*	9801-095-001	Switch Assy, Air Flow.....	2
1	9539-461-009	Switch, Air Flow.....	2
2	9029-174-001	Bracket, Switch- Air Flow.....	2
3	9008-007-001	Actuator, Switch.....	2
4	9451-169-002	Pin, Cotter	2
5	9545-020-001	Screw 4-40 x 5/8".....	4
*	8640-401-001	Nut, Special Twin #4-40.....	2
*	9550-169-003	Shield, Switch	2
*	9545-008-001	Screw 10 Bx 1/4".....	6
7	9376-309-003	Motor, Drive	2
8	9452-740-001	Plate, Motor Mtg	2
*	9545-029-008	Bolt 3/8" - 16 x 3/4".....	8
*	8641-582-003	Lockwash Spring 3/8".....	8
9	9545-018-019	Screw, Motor Plate to Back Assy. 1/4-20x 2 1/2.....	8
9	8641-582-007	Lockwasher 1/4	8
9	9538-163-006	Spacer	8
9	8641-581-017	Flat Washer 1/4 x 7/8.....	24
9	9209-086-002	Rubber Grommet	8
*	9538-166-006	Grommet Spacers.....	8
27	9453-157-001	Pulley, Motor	2
*	9545-028-013	Screw, Set	4
10	9962-017-002	Back Assy, Blower Hsg	2
26	9278-039-001	Impeller, W/Set Screws.....	2
11	9991-053-001	Support Assy, Intermed. Pulley	2
12	9545-029-010	Bolt, Rd Hd 3/8-16 x 1 1/4	6
13	9545-029-003	Bolt, 3/8-16 x 1 1/2	2
12	8640-415-004	Nut Flange Wizlock 3/8" - 16.....	6
12	8641-581-035	Washer, Flat	6
14	9861-022-001	Arm Assy-Tension, Complete	2
*	8641-581-035	Washer, Flat	2
15	9487-200-003	Ring-Retaining	6
16	9908-039-004	Pulley Assy, Intermediate with bronze flange bearing	2
*	9036-145-002	Bearing - Bronze Flange.....	4
17	9908-040-001	Pulley Driven	2
*	9538-164-001	Spacer, Shaft	2
*	9306-006-000	Key, Tumbler Shaft Woodruff	2
18	8640-222-000	Nut, Hex 1"-14.....	2
18	8641-582-015	Washer, Lock	2
19	9040-077-001	Belt, Drive- Motor	2
20	9040-073-009	Belt, Drive- Tumbler	2
21	9534-319-002	Spring, Tension	2
22	9099-012-002	Chain, Tension	2
23	9248-022-002	Hook, Tension	2
*	9125-005-001	Damper Inside Duct Exhaust.....	2
24	9451-146-001	Pin, Damper Hinge	2
*	8520-141-000	Nut, Spring	4
*	9545-008-026	Screw #10B x 1/2"	6
25	9825-059-001	Cover Duct Upper.....	1
*	9074-314-001	Cover Duct Lower	1
*	9545-008-024	Screw 10ABx 3/8".....	80
25	9973-030-001	Heat Recirculation Assembly Duct	2
27	9453-157-001	Motor Pulley - Driver	1
*	9029-173-001	Bracket for Wire Harness Under Burner Housing.....	2

REAR VIEW PHOTOS

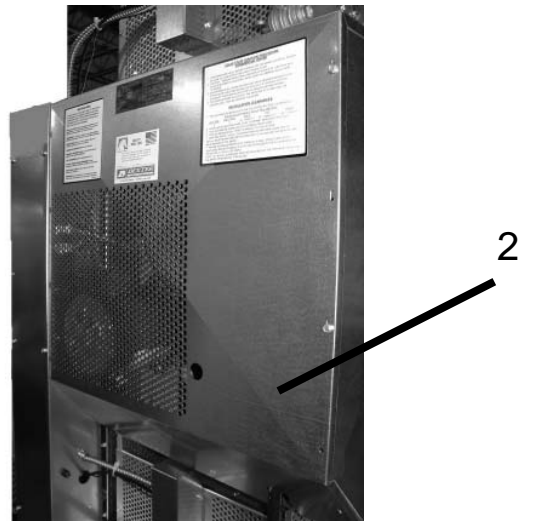
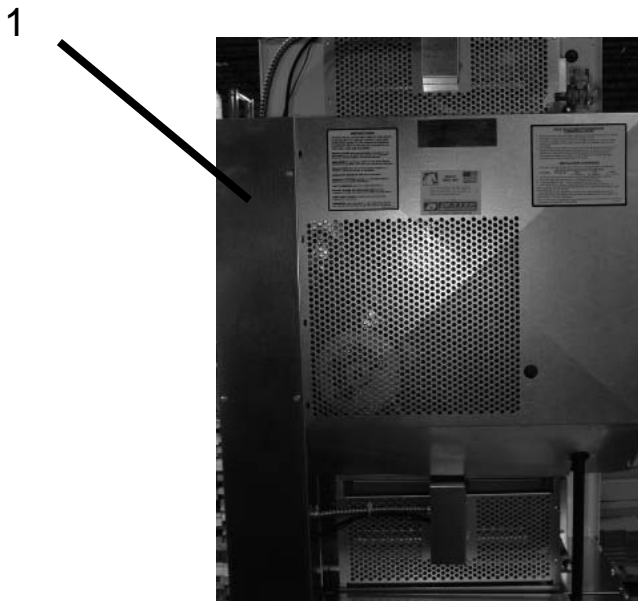


Motor pulley 27

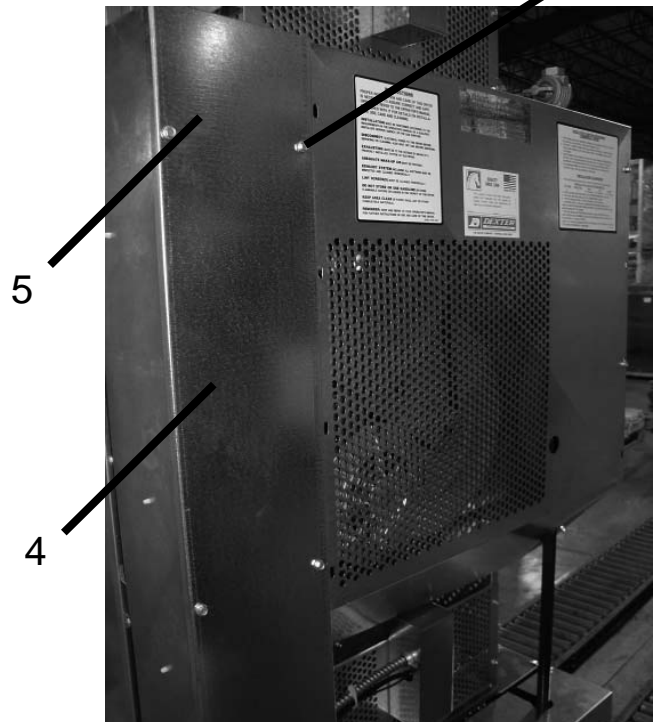
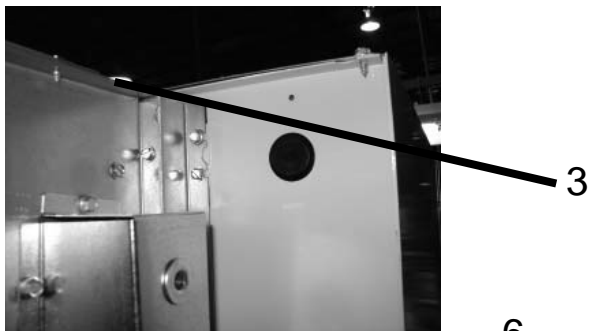


REAR PANEL & COVER GROUP

Key	Part Number	Description	Quantity
1	9208-075-001	Back Drive Guard Panel 1.....	2
2	9208-076-001	Back Side Guard Panel Assy.....	2
3	9074-261-001	Cabinet (TOP COVER)	1
*	9545-008-024	Screws 10 AB x 3/8.....	4
*	8544-006-001	Legs Leveling.....	4
4	9074-317-001	Screws 10 AB x 3/8.....	6
5	9545-008-024	Screws 10 AB x 3/8.....	6
6	9577-062-001	Top Duct w/ Oval.....	1

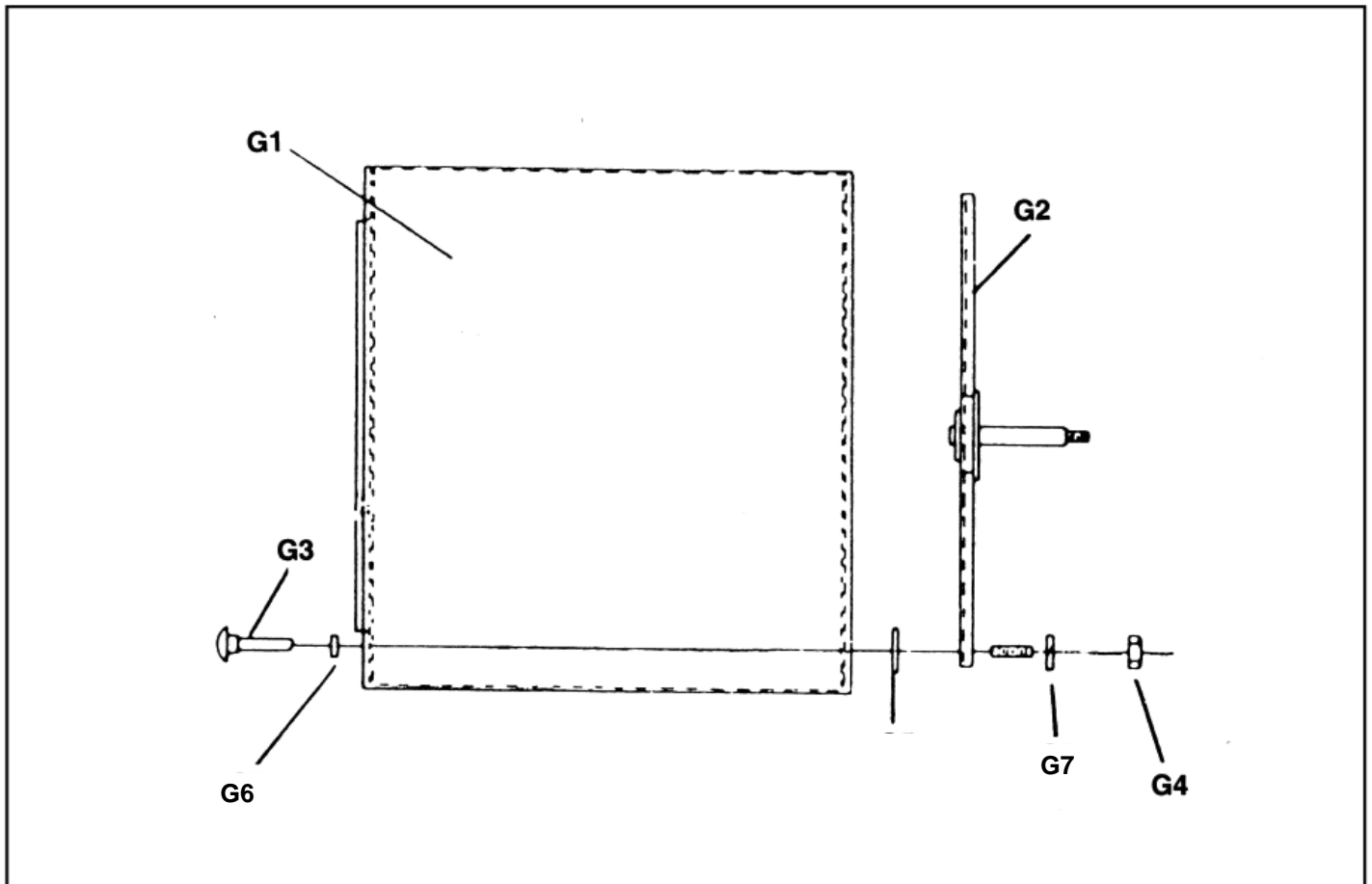


Screws



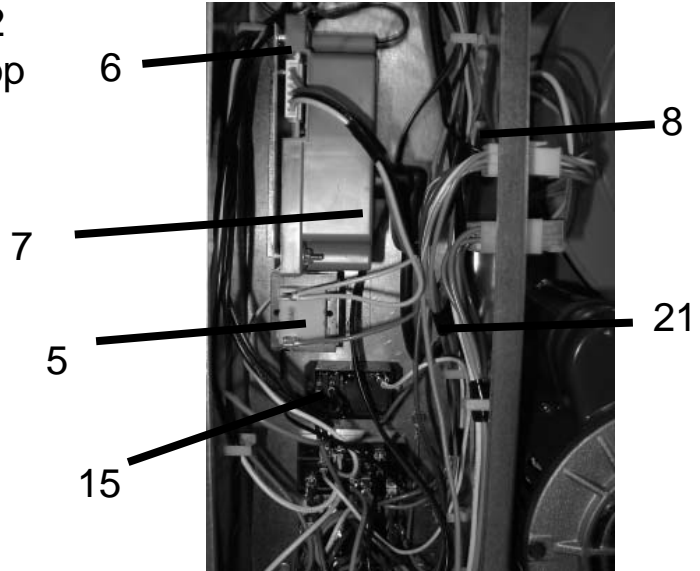
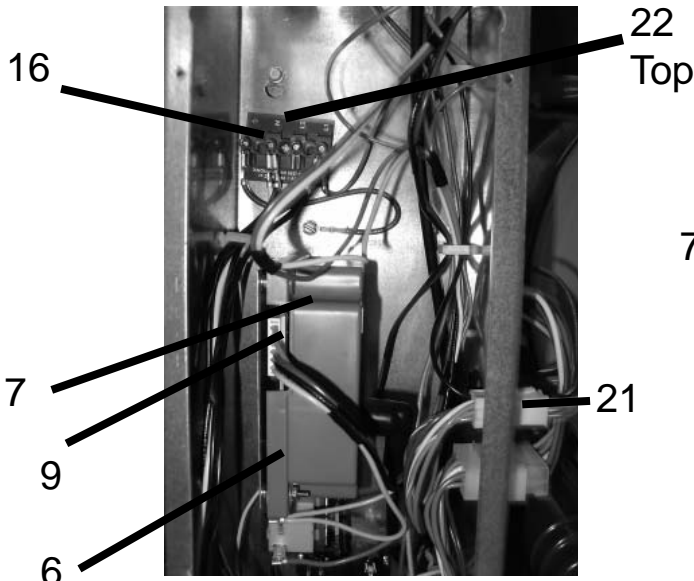
TUMBLER GROUP

Key	Part Number	Description	Quantity
	9848-127-001	Tumbler Assembly Galvanized w/spider.....	2
G2	9568-011-001	Spider Assembly	2
G3	9497-019-003	Rod, Tumbler	6
G4	8640-415-004	Nut .3/8" - 16.....	6
G6	8641-554-001	Washer, Special	6
G7	9552-013-000	Shim.....	AR
*	9848-126-002	Tumbler Assembly Stainless Steel.....	2
G1	9848-126-001	Tumber Assembly Galvanized.....	2

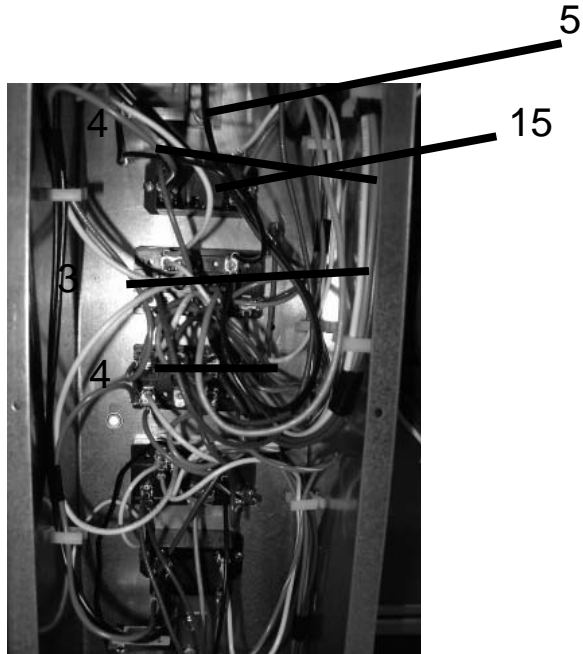


Control Assembly Group

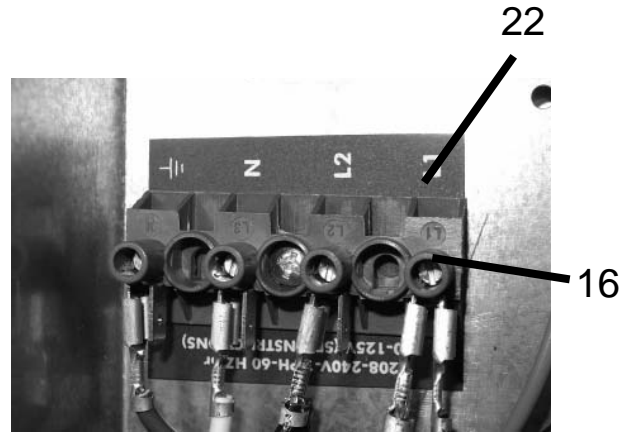
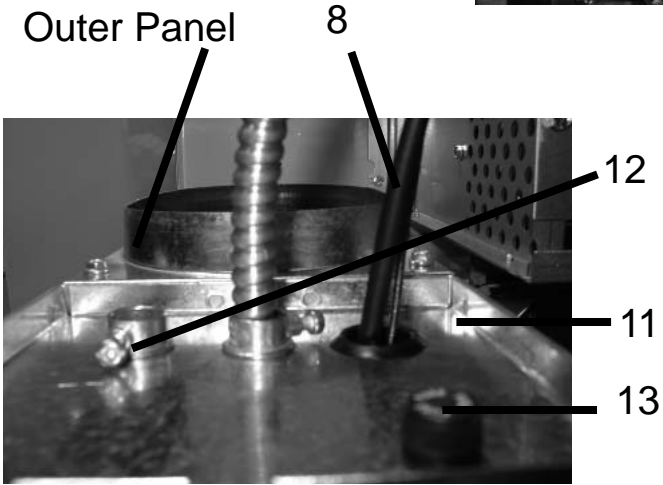
Key	Part Number	Description	Quantity
*	9857-169-001	Control Assmbly Complete (all below included).....	1
1	9074-317-001	Control Box Cover.....	1
2	8220-001-478	Wire Assembly Green 7".....	1
*	8639-621-007	Screw #10-32 x 12 Green.....	1
*	8641-582-006	Lockwasher Ext Tooth #10.....	1
3	9897-026-002	Terminal Block Main Power Middle.....	1
4	9897-026-001	Terminal Block.....	2
*	9545-045-012	Screw #8 ABx12 for terminal block.....	6
5	8711-011-001	Transformer Ignition.....	2
*	9545-008-024	Screws 10AB x 3/8".....	4
6	9982-348-001	Plate Assembly MTG Ignition Control.....	2
*	9545-008-001	Screws 10B x 1/4" MTG Above Plate.....	4
7	9857-116-003	Ignition Control.....	2
*	8640-411-003	#6-32 Screws.....	4
8	9631-403-001	Wire Assembly High Voltage 38".....	2
9	9627-860-001	Wire Harness Ignition Control Upper.....	1
10	9627-860-002	Wire Harness Ignition Control Lower.....	1
11	9053-067-002	Bushing Wire 7/8".....	4
12	8653-068-003	Connector Conduit 3/8" STR.....	1
13	9200-001-002	Fuseholder Assembly.....	2
14	8636-018-001	Fuse 1.5 Amp.....	2
15	5192-298-001	Relay Power.....	2
*	9545-045-012	Screws Power #8 AB x 1/2".....	4
16	9897-036-002	Terminal Block Assembly Main Power Inlet.....	1
*	9545-045-012	Screw #8 AB x 1/2".....	1
17	8220-062-036	Wire Assembly Red/Black 14".....	1
18	8220-062-037	Wire Assembly Red/White 14".....	1
19	8220-062-038	Wire Assembly White 14".....	2
20	9627-859-001	Wire Harness - Power Main.....	1
21	9627-864-001	Wire Harness Motor Extension.....	2
*	9527-007-001	Stand Off - Wire Saddle / Arrowhead.....	15
*	9545-031-005	Screw 6 B x 3/8".....	4
22	9558-031-001	Strip Terminal Marker (Behind Input Power) to above #3.....	1
*	9627-863-001	Wire Harness Main Extension Access Under Burner Housing	1



Control Assembly Group



Oval See
Outer Panel



23 Main Wire Extension



Motor
Connector Motor

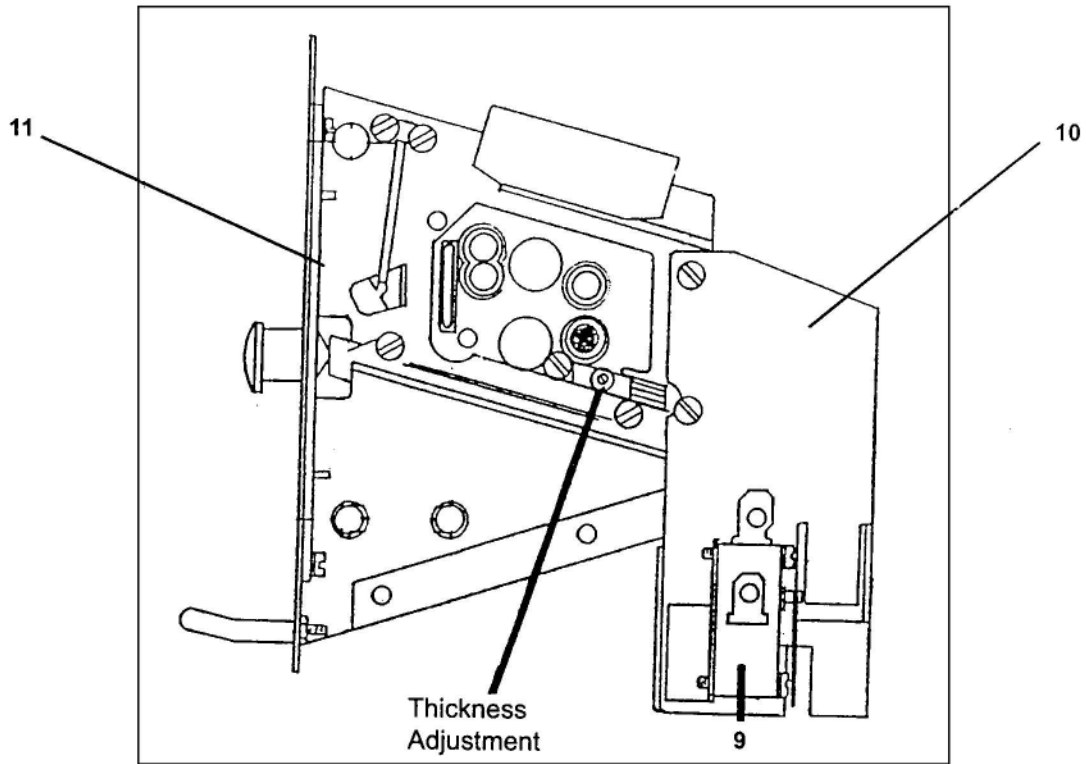
Main
Pulley

6

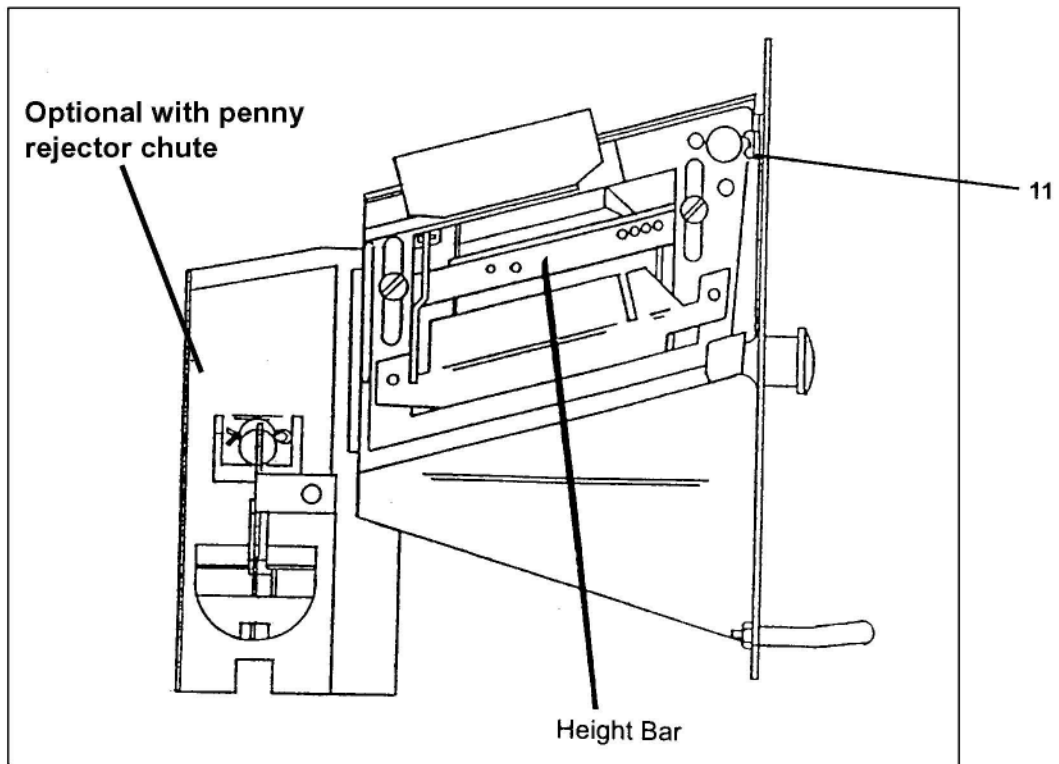
13 & 14



Coin Handling Group



#8 COIN ACCEPTOR - right side



#8 COIN ACCEPTOR - left side

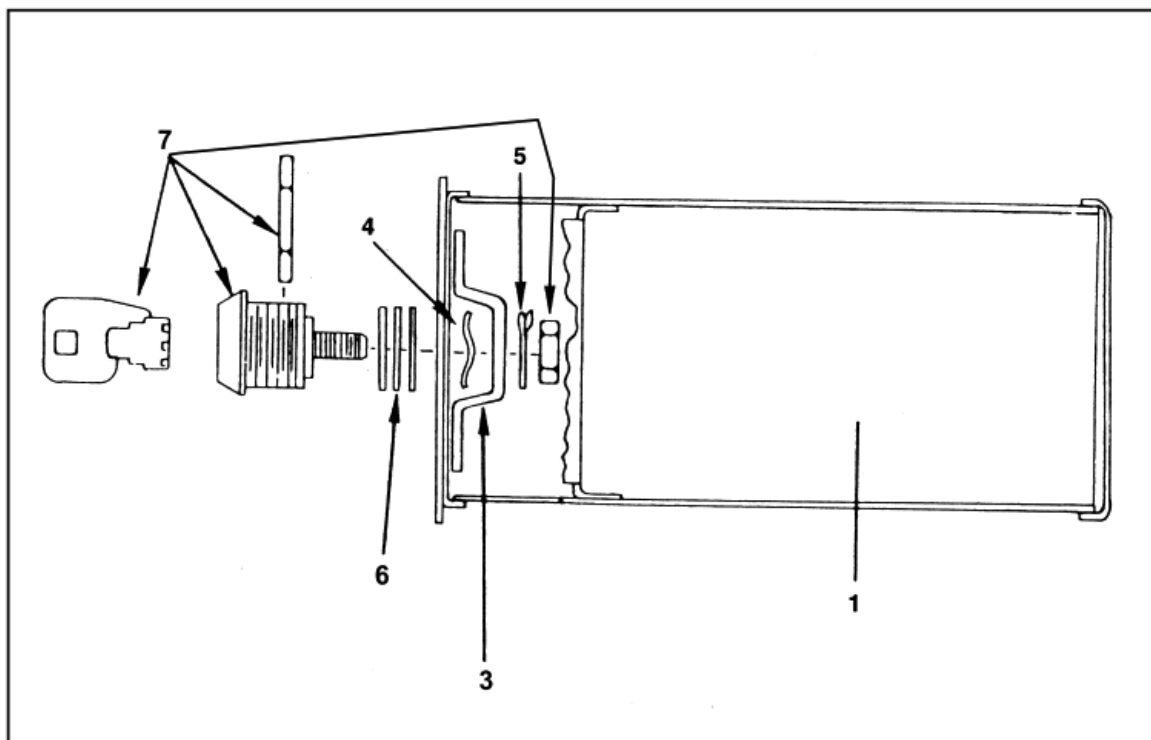
COIN HANDLING GROUP

Key	Part Number	Description	Quantity
2	9732-122-001	Kit, Coin Box and Hardware (includes 1-6).....	1
*	9942-034-002	Vault, Assembly Gray (SS front panel).....	1
*	9942-034-004	Vault, Assembly Almond	1
*	9942-034-003	Vault, Assembly White	1
1	9807-077-007	Box Assembly, Coin	1
*	9982-338-001	Vault Plate Assembly Coin Vault Mounting.....	4
*	8640-413-004	Nut, Vault Mounting.....	4

NOTE: COIN BOX AND HARDWARE KIT AND COIN BOX LOCK NOT INCLUDED WITH MACHINE.

3	9349-033-001	Latch, Coin Box	1
4	8641-569-002	Washer, Wave	1
5	8641-583-001	Washer, Keeper	1
6	8641-581-008	Washer, Spacer- Thick	2
6	8641-581-010	Washer, Spacer- Thin	4
7	8650-012-002	Lock, Coin Box (w/key not included with 9732-122-001).....	1
8	9021-001-010	Acceptor, Coin.....	1
*	9545-020-004	Screw, Acceptor Mtg.....	4
*	8640-424-002	Nut.....	4
9	9732-126-001	Switch, Coin.....	1
10	9119-025-002	Acceptor Chute Ass'y w/o penny ejector	1
*	9119-025-001	OPTIONAL Acceptor Chute W/ penny rejector	*

2 & 7



WIRING GROUP

Key	Part Number	Description	Quantity
*	9627- 859-001	Wiring Harness- Main Power.....	1
*	9627- 854-001	Wiring Harness- Coin.....	1
*	9631-403-001	Wire, Hi Voltage, Spark 38.....	2
*	8502-645-001	Label Instruction.....	1
*	9506-289--001	Wiring Label Schematic/Diagram.....	1
*	9627-860-001	Wire Harness Ignition Upper Low Voltage.....	1
*	9627-860-002	Wire Harness Ignition Lower Low Voltage.....	1
*	9627-863-001	Wire Harness Main Extension.....	1
*	9627-864-001	Wire Harness Motor Extension.....	2
*	8220-062-036	Wire Assembly Red/Black 14".....	1
*	8220-062-037	Wire Assembly Red/White 14".....	1
*	8220-062-038	Wire Assembly White 14".....	2
*	9627-861-001	Wire Harness - Overtemp / Airswitch.....	2
*	9627-862-001	Wire Harness Main Controller.....	1
*	9627-855-003	Wire Harness - Heat Sensor.....	1
*	8527-112-001	Decal Lighting and Clearance.....	1
*	8502-600-001	Label Warning & Notice.....	2
*	9506-287-001	Schematic Label.....	1
*	8514-135-001	Owners Manual.....	1
*	8507-365-001	Instructions Convert Dual Voltage.....	1
*	8507-330-001	Instruction Transient Voltage Suppressor.....	1
*	8507-350-001	Instructions Dryer Install / Start.....	1
*	8220-137-001	Wire Assembly Green 24".....	1
*	8220-001-466	Wire Assembly Yellow 4 7/8" Gas Valve.....	2
*	8220-095-038	Wire Assembly Orange 48".....	2
*	9506-288-001	Wiring Diagram.....	1
*	8220-095-040	Wire Assembly Orange 24".....	1
*	8220-095-041	Wire Assembly Brown 24".....	1
*	9052-067-002	Bushings Wire 7/8.....	4